



PRODUCTION EQUIPMENT

生产装备

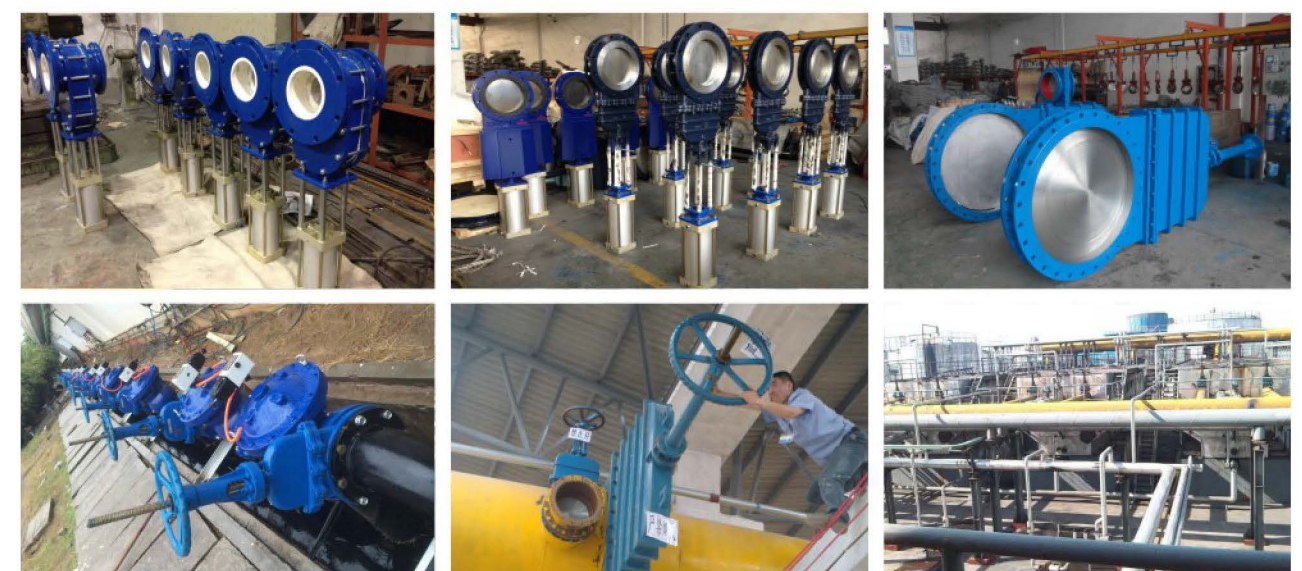
严谨、务实、永不松懈的工作作风，根植于中诚的每一道生产工序之中。
 检验员高度负责的用心溶于每一个部件之中，加上先进的检测设备和严格的科学化管理，
 使每一个成品经得住顾客的精挑细选。



科技创造完美 品质造就辉煌

TECHNOLOGY TO CREATE THE PERFECT QUALITY TO CREATE BRILLIANT

Rigorous, pragmatic, never relaxed style of work, rooted in ZHONGCHENG into every production process.
 Inspectors highly responsible intentions dissolve into each component, coupled with advanced testing equipment and strict scientific management,
 So that each customer carefully selected to withstand the finished product.





专利号:201330541166.0 201320811393.5

▲活动密封零泄露刀型闸阀

型号: C4Z-6ASD10PXS (CHZ73X/F/H/Y)
 口径: DN50-600mm
 压力: 1.0-1.6Mpa
 温度: -40°C~+550°C
 材质: 碳钢, 不锈钢
 操作方式: 手动, 气动, 电动, 电液动, 伞齿轮, 链轮
Movable knife gate valve with 0 leakage
 Type: C4Z-6ASD10PXS (CHZ73X/F/H/Y)
 Nominal Diameter: 2"-28"
 Pressure: 150LB
 Temperature: -40°C~+550°C
 Material: CS, SS
 Operated: Handle, Pneumatic, Electric, Electric & Hydraulic, Bevel Gear, Chainwheel.



▲明杆刀型闸阀

型号: CSZ-F(S)D10CH (PZ73X/F/H/Y)
 口径: DN50-700mm
 压力: 0.6-1.6Mpa
 温度: -40°C~+550°C
 材质: 碳钢, 不锈钢
 操作方式: 手动, 气动, 电动, 电液动, 伞齿轮, 链轮
Rising stem knife gate valve
 Type: CSZ-F(S)D10CH (PZ73X/F/H/Y)
 Nominal Diameter: 2"-28"
 Pressure: 150LB
 Temperature: -40°C~+550°C
 Material: CS, SS
 Operated: Handle, Pneumatic, Electric, Electric & Hydraulic, Bevel Gear, Chainwheel



专利号:201320811417.7 201320811417.7

▲暗杆刀闸阀

型号: C4AZ-F(S)D10PF (APZ73X/F/H/Y)
 口径: DN50-700mm
 压力: 0.6-1.6Mpa
 温度: -40°C~+550°C
 材质: 碳钢, 不锈钢
 操作方式: 手动, 气动, 电动, 电液动, 伞齿轮, 链轮
Non-rising Stem Knife gate valve
 Type: C4AZ-F(S)D10PF (APZ73X/F/H/Y)
 Nominal Diameter: 2"-28"
 Pressure: 150LB
 Temperature: -40°C~+550°C
 Material: CS, SS
 Operated: Handle, Pneumatic, Electric, Electric & Hydraulic, Bevel Gear, Chainwheel



▲暗板刀闸阀

型号: CMZ-SD10PW (DMZ73X/F/H/Y)
 口径: DN50-1800mm
 压力: 0.6-2.5Mpa
 温度: -40°C~+550°C
 材质: 碳钢, 不锈钢
 操作方式: 手动, 气动, 电动, 电液动, 伞齿轮, 链轮
Lidded knife gate valve
 Type: CMZ-SD10PW (DMZ73X/F/H/Y)
 Nominal Diameter: 2"-28"
 Pressure: 150LB
 Temperature: -40°C~+550°C
 Material: CS, SS
 Operated: Handle, Pneumatic, Electric, Electric & Hydraulic, Bevel Gear, Chainwheel



▲铸铁刀闸阀

型号: CSZ-TD10ZX/F (PZ73X/F)
 口径: DN50-600mm
 压力: 0.6-1.6Mpa
 温度: -29°C~+200°C
 材质: 灰铸铁, 球墨铸铁
 操作方式: 手动, 气动, 电动, 电液动, 伞齿轮, 链轮
Cast iron Knife gate Valve
 Type: CSZ-TD10ZX/F (PZ73X/F)
 Nominal Diameter: 2"-24"
 Pressure: 150LB
 Temperature: -29°C~+200°C
 Material: Gray Iron, Ductile Iron
 Operated: Handle, Pneumatic, Electric, Electric & Hydraulic, Bevel Gear, Chainwheel.



▲双向密封无凹槽刀闸阀

型号: C5SZ-TD10QX (CWZ73X)
 口径: DN50-600mm
 压力: 0.6-1.6Mpa
 温度: -29°C~+200°C
 材质: 球墨铸铁
 操作方式: 手动, 气动, 电动, 电液动, 伞齿轮, 链轮
Two-directional No groove knife gate valve
 Type: C5SZ-TD10QX (CWZ73X)
 Nominal Diameter: 2"-24"
 Pressure: 150LB
 Temperature: -29°C~+200°C
 Material: Ductile Iron
 Operated: Handle, Pneumatic, Electric, Electric & Hydraulic, Bevel Gear, Chainwheel



专利号:201320811417.7

▲衬胶刀闸阀

型号: C3Z-FD10CJ (PZ73J)
 口径: DN50-600mm
 压力: 1.0-1.6Mpa
 温度: -29°C~+120°C
 材质: 碳钢, 不锈钢
 操作方式: 手动, 气动, 电动, 电液动, 伞齿轮, 链轮
Rubber lined knife gate valve
 Type: C3Z-FD10CJ (PZ73J)
 Nominal Diameter: 2"-24"
 Pressure: 150LB
 Temperature: -29°C~+120°C
 Material: CS, SS
 Operated: Handle, Pneumatic, Electric, Electric & Hydraulic, Bevel Gear, Chainwheel



▲全衬聚脂刀闸阀

型号: CSZ-TD10QNQ (CQZ73N)
 口径: DN50-600mm
 压力: 1.0-1.6Mpa
 温度: -29°C~+100°C
 材质: 球墨铸铁
 操作方式: 手动, 气动, 电动, 电液动, 伞齿轮, 链轮
Non-rising Stem Knife gate valve PATENT NO:201320811417.7
 Type: CSZ-TD10QNQ (CQZ73N)
 Nominal Diameter: 2"-24"
 Pressure: 150LB
 Temperature: -40°C~+550°C
 Material: Ductile Iron
 Operated: Handle, Pneumatic, Electric, Electric & Hydraulic, Bevel Gear, Chainwheel



▲陶瓷刀闸阀

型号: C3Z-FD10CG (PZ73G/TC)
 口径: DN50-600mm
 压力: 1.0-1.6Mpa
 温度: -29°C~+200°C
 材质: 球墨铸铁, 碳钢, 不锈钢
 操作方式: 手动, 气动, 电动, 电液动, 伞齿轮, 链轮
Ceramic line knife gate valve
 Type: C3Z-FD10CG (PZ73G/TC)
 Nominal Diameter: 2"-28"
 Pressure: 150LB
 Temperature: -29°C~+200°C
 Material: CS, SS, Ductile Iron
 Operated: Handle, Pneumatic, Electric, Electric & Hydraulic, Bevel Gear, Chainwheel.



▲穿透式插板阀

型号: C4CZ-6ATD10CH (SCZ73X/F/H)
 口径: DN50-600mm
 压力: 1.0-1.6Mpa
 温度: -40°C~+550°C
 材质: 碳钢, 不锈钢
 操作方式: 手动, 气动, 电动, 电液动, 伞齿轮, 链轮
Rising stem knife gate valve
 Type: C4CZ-6ATD10CH (SCZ73X/F/H)
 Nominal Diameter: 2"-24"
 Pressure: 150LB
 Temperature: -40°C~+550°C
 Material: CS, SS
 Operated: Handle, Pneumatic, Electric, Electric & Hydraulic, Bevel Gear, Chainwheel.



▲自密封刀型闸阀

型号: ZMFC4Z-TD10CX (ZMFZ73XS)
 口径: DN50-600mm
 压力: 1.0-1.6Mpa
 温度: -29°C~+120°C
 材质: 碳钢, 不锈钢
 操作方式: 手动, 气动, 电动, 电液动, 伞齿轮, 链轮
Slurry Valve
 Type: ZMFC4Z-TD10CX (ZMFZ73XS)
 Nominal Diameter: DN50-600mm
 Pressure: 1.0~1.6Mpa
 Temperature: -29°C~+120°C
 Material: CS, SS
 Operated: Handle, Pneumatic, Electric, Electric & Hydraulic, Bevel Gear, Chainwheel.



▲三片组合式矿浆插板闸阀

型号: CZ-ZSK
 口径: DN50-600mm
 压力: 1.0-1.6Mpa
 温度: -29°C~+100°C
 材质: 碳钢, 不锈钢
 操作方式: 手动, 气动, 电动, 电液动, 伞齿轮, 链轮
3-PCS Compostion Slurry Slide Valve
 Type: CZ-LMD
 Nominal Diameter: DN50-600mm
 Pressure: 1.0-1.6Mpa
 Temperature: -29°C~+100°C
 Material: CS, SS
 Operated: Handle, Pneumatic, Electric, Electric & Hydraulic, Bevel Gear, Chainwheel.

刀型闸阀型号编制说明
Type Of Knife gate valve

① 支架形式

①	②	③	④	⑤	⑥	⑦	⑧	⑨	⑩
支架形式	结构形式	类型	传动	连接	结构	压力	阀体	密封	附件
C3	A	Z	6A	F	D	10	C	H	3L

② 结构形式

代号	C3	C4	C5	CM
含义	三角式	四柱式	钢板式	暗板式

③ 阀门类型

代号	A	C	D	S
含义	暗杆	穿透式	双开式	双向密封

④ 传动类型 手动时无代号

代号	2	5	6A	6B	7	8	9	6S	4L
含义	电液动	伞齿轮	气动双作用	气动单作用	液动	气液动	电动	手气动切换	链轮

⑤ 连接形式

代号	F	S	T
含义	圆型法兰	梅花型法兰	对夹式/支耳式

⑥ 阀门结构

代号	D
含义	平行单闸板

⑦ 阀门压力

代号	6	10	16	25	150	10K
含义	0.6Mpa	1.0Mpa	1.6Mpa	2.5Mpa	150Lb(美)	10K(日)

⑧ 阀体材质

代号	2	5	6A	6B	7	8	9	6S	4L
含义	电液动	伞齿轮	气动双作用	气动单作用	液动	气液动	电动	手气动切换	链轮

⑨ 密封材质

代号	2	5	6A	6B	7	8	9	6S	4L
含义	电液动	伞齿轮	气动双作用	气动单作用	液动	气液动	电动	手气动切换	链轮

例:

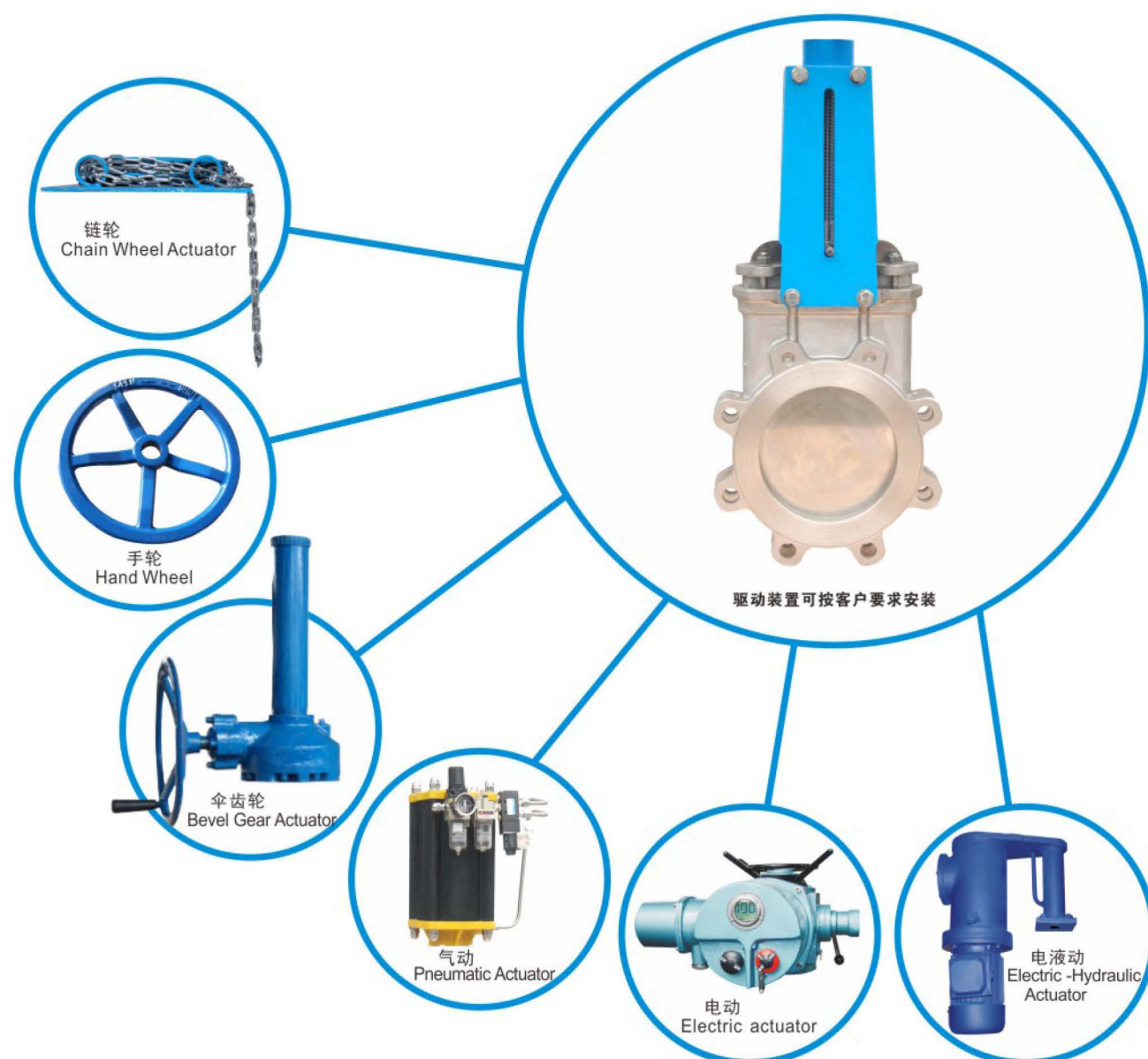
手动刀闸阀, 铸钢体, 圆型法兰, 硬密封, 三角支架, PN10: C3Z-FD10CH
 气动刀闸阀, 不锈钢CF8体, 梅花型法兰, 橡胶密封, 含三联件24V, 四柱式支架, PN10: C4Z-6ASD10PX3L
 电动刀闸阀, 暗板结构, 不锈钢CF8M体, 圆型法兰, 氟橡胶密封, PN16: CMZ-9FD16RF
 电液动刀闸阀, 铸铁体, 对夹式, 橡胶密封, 钢板支架: C5Z-2TD10ZX
 气动穿透式刀闸阀, 不锈钢304体, 四柱式支架, 氟橡胶密封, 含三联件220V: C4CZ-6ATD10PF3M

刀型闸阀各种类型执行器 Kinds of Knife Gate Valve Operation

中诚可提供各种类型的阀门执行机构：

手动、气动、电动、液动、气液联动。具体型号根据阀门力矩选型。

ZHONGCHENG can offer all the type of actuators and manufactures, manual, electrical, pneumatic and pneumatic-hydraulic.



»» 气动

刀闸阀配套气动装置多为直行程双作用(单作用需订制),多用于要求快速切断或开启,及开关频繁的场所。可根据现场特殊工况要求,配以手轮;当气源出现故障,可通过手轮控制阀门的开启及关闭。

根据现场需求可以配套附件实现远程自动化控制,包括:电磁阀,空气过滤器,限位开关。

»» Pneumatic Actuator

The pneumatic actuator of knife gate valve is usually straight travel and double action, while installing set of handle, it could open /close the valve by handle once the pneumatic is broken; it is extremely suitable for being applied fast open / close and frequent open /close.

It could realize the remote automatic control depends the working situation with the accessories included solenoid valve, air strainer and limited switch.

»» 电动

刀闸阀配套电动装置均采用多回转执行机构,电压常规380V(220V需订制)。电动装置配有手动,万一供电中断,可以手动操作开启或关闭阀门,有效控制介质,防止事故发生。

»» Electric Actuator

The electric actuator of knife gate valve is support the rotary actuator, conventional 380 v voltage (220 v to be customized) The electric actuator is compete with handle, the handle could open/close the valve once no power, It could effective control the medium to prevent the accident happening.

»» 链轮

刀闸阀配套链轮通常安装于高空管道上使用,链条操作时应当使链条与链轮保持平行,切勿90度拉扯。

Chain wheel

The Chainwheel actuator of knife gate valve is installed on the pipe in the air, It must keep the chain and sprocket parallel while operating, do not pull 90 degrees

»» 伞齿轮

刀闸阀配套伞齿轮驱动,使阀门开启关闭更轻松灵活。

»» Bevel Gear:

The bevel gear of knife gate valve is very easy to open/close.

»» 电液动

刀闸阀配套电动液动装置,通过往复推位来控制阀门的开启和关闭。可实现远距离,高空及危险地点或程序控制。电压常规为:380V.可订制220V或660V电压。

»» Electric & Hydraulic Actuator

The electric & Hydraulic actuator of knife gate valve open /close through the reciprocating push. it come true far distance, high air and dangerance or process control. The normal voltage is 380 V, also could custom-made 220V or 660 V.

阀门结构及材料标准

Structure & Material standard

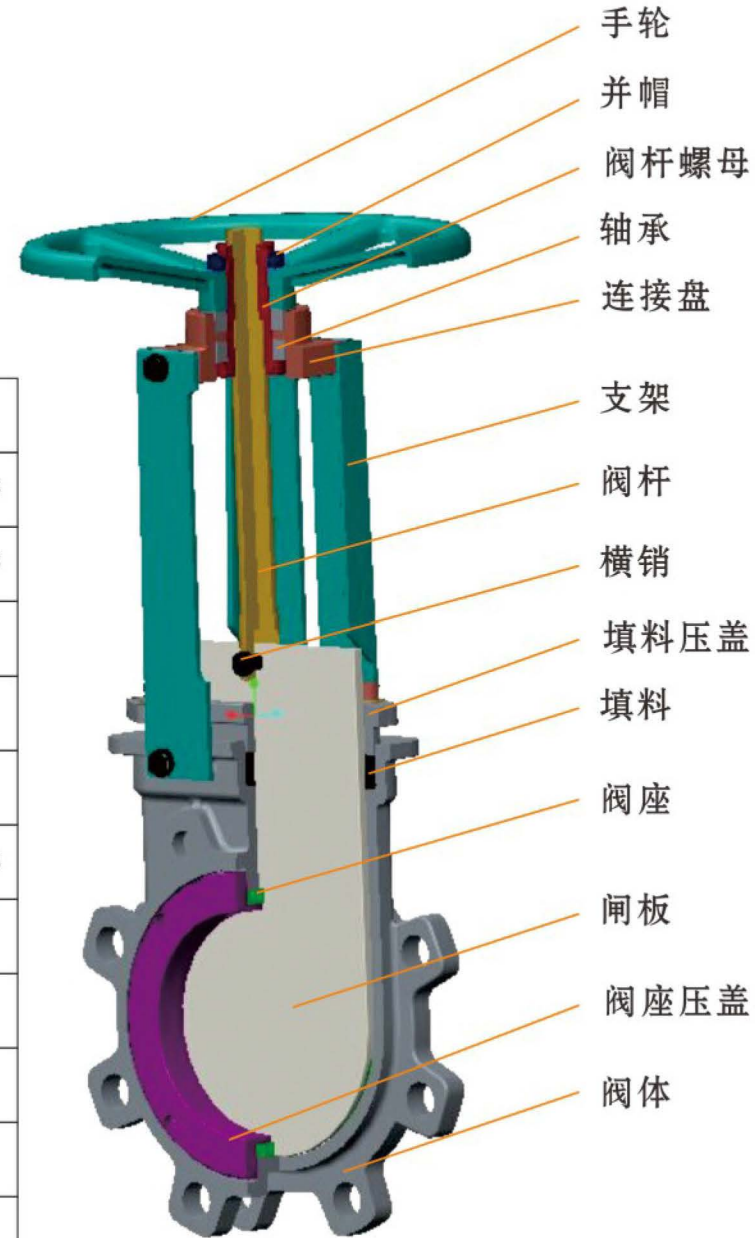
执行标准:

- 1、设计标准按: JB/T 8691-2013 MSS SP-81
- 2、法兰按照: GB/T 9113-2000 ANSI B16.5
- 3、结构长度: GB/T 12221-2005 MSS SP-81
- 4、试验按照: GB/T 13927-2008/厂商试压标准

Technical Specification :

- 1、Design & Manufacture: JB/T 8691-2013 MSS SP-81
- 2、Test & Inspect : GB/T 9113-2000 ANSI B16.5
- 3、Face To Face: GB/T 12221-2005 MSS SP-81
- 4、Flange Dimension: GB/T 13927-2008

名称	材料
阀体	WCB、CF8、CF8M、CF3M、310S
阀座压盖	WCB、CF8、CF8M、CF3M、310S
闸板	201、304、316、316L、2520
阀座	STL、EPDM、PTFE、VITON
填料	石墨、PTFE
填料压盖	WCB、CF8、CF8M、CF3M、310S
横销	35#
阀杆	2Cr13、304、316L
支架	WCB+Cr
连接盘	35#、304
轴承	35#
阀杆螺母	QA19-4
并帽	45#
手轮	Qt450



双向密封无凹槽刀型闸阀

Cast iron knife gate valve



产品特点

- 1、阀体为一体化铸造, 易于更换密封圈, 维修方便。
- 2、采用阀体底部密封, 无凹槽阀座设计, 不易堵塞, 无残留, 管道清洗方便。
- 3、闸板表面精磨抛光处理获得了更好的密封效果, 也有效保护了填料和阀座的使用寿命。
- 4、法兰密封面镶O型圈, 无须另配法兰垫片, 安装简单方便, 密封可靠。

Product Specification

1. The body is casted as a whole to easily exchange the seal ring and conveniently service .
2. The sealing is depend on the bottom of body, without design of groove seat, no blocking, no residue, pipe cleaning is convenient.
3. The surface of gate is been grinded and polished to gain better sealing and protect the uselife of packing and seat effectly.
5. This product is widely used the papermaking,mine, metallurgy, chemical insustry and water etc.

技术参数/Technical Specification

公称通径/Nominal Diameter	DN50-600 2"-24"
压力等级/Pressure rating	0.6MPa、1.0MPa、1.6MPa、ASME CLASS 150LB
试压标准/Pressure test	DN50-200 (2"~8") 1.0Mpa
	DN250-400 (10"-16") 0.6Mpa
	DN450-600 (18"~24") 0.5Mpa
适用温度/Suitable Temperature	-20°C ~ +120°C
泄漏等级/Leakage Level	EPDM 软密封 A级 (零泄漏) /EPDM sealing A level (0 leakage)

铸铁刀闸阀 Cast iron knife gate valve

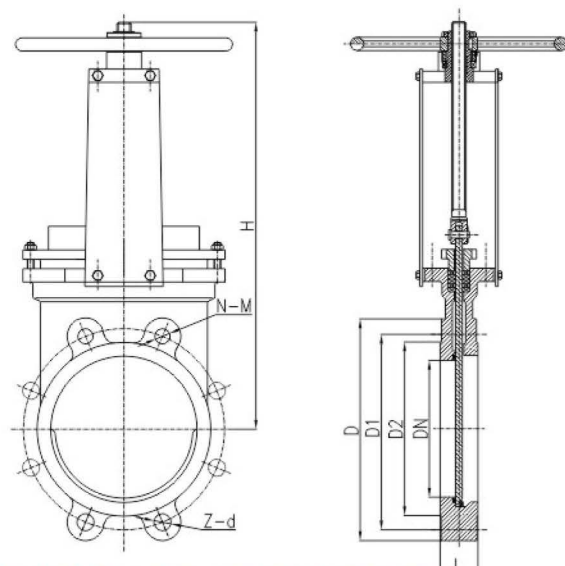


产品特点

- 1、阀体为一体化铸造，相较于传统的浆液阀开启更轻松，易于更换密封圈，维修更方便。
- 2、阀门上密封为石墨(四氟)填料，密封性能更佳。
- 3、闸板表面精磨抛光处理获得了更好的密封效果，也有效保护了填料和阀座的使用寿命。
- 4、产品广泛用于造纸、制糖、矿山、冶金、化工、水处理等行业。

Product Specification

1. The body is casted as whole ,it is more relaxed to open ,easier to replace the sealing ring , more convenient to maintain than slurry.
2. back sealing is graphite or PTFE , The sealing is best.
3. The polishing treatment on the gate surface can enhance the sealing and prolong life-span of packing and seat.
4. Products are widely used in paper making, sugar, mining, metallurgy, chemical industry, electric power, water treatment, etc.



技术参数/Technical Specification

公称通径/Nominal Diameter:	DN50-600 2"-24"
压力等级/Pressure rating:	0.6MPa, 1.0MPa, 1.6MPa, ASME CLASS 150LB
试压标准/Pressure test:	DN50-200 (2"~8") 1.0Mpa
	DN250-400 (10"-16") 0.6Mpa
	DN450-600 (18"~24") 0.5Mpa
适用温度/Suitable Temperature:	-20°C~+120°C
泄漏等级/Leakage Level:	EPDM 软密封 A级(零泄漏) /EPDM sealing A level (0 leakage)

明杆刀型闸阀 Knife gate valve

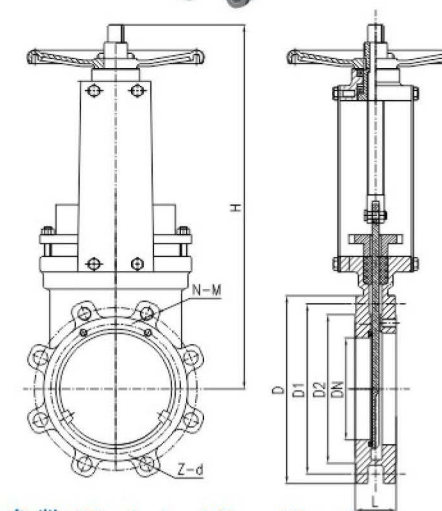


产品特点

- 1、刀闸阀主要由阀体和闸板构成，设计紧凑、占据空间小，有效支持管道强度。
- 2、闸板底部为U型锋利刀口，可刮除密封面上的粘着物，并能够将流体介质快速切断。
- 3、闸板表面精磨抛光处理获得了更好的密封效果，也有效保护了填料和阀座的使用寿命。
- 4、阀体上导向块使闸板正确运动，挤压块保证闸板有效密封。
- 5、产品广泛用于造纸、制糖、矿山、冶金、化工、电力、水处理等行业。

Product Specification

1. Knife gate valve is composed with body and gate, compact design to occupy the little space, effective support strength in the pipe.
2. The bottom of gate with sharp knife can shave gelling material on the surface of seal, and can cut fluid medium quickly.
3. The polishing treatment on the gate surface can enhance the sealing and prolong life-span of packing and seat.
5. The guide block of the body lead gate working, SqueezeBlock ensure effective sealing of gate.

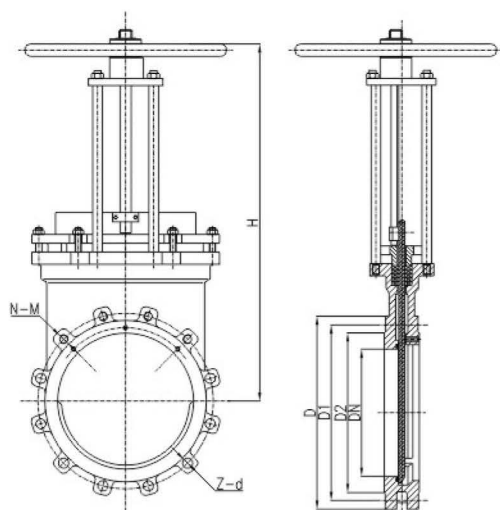


技术参数/Technical Specification

公称通径/Nominal Diameter	DN50-1800 2"-48"
压力等级/Pressure rating	0.6MPa, 1.0MPa, 1.6MPa, 2.5MPa, ASME CLASS 150LB
试压标准/Pressure test	DN50-200 16Bar
	DN250-DN400 10Bar
	DN450-600 6Bar
	DN700-800 5Bar
	DN900-1000 3Bar DN1200-1800 1Bar
适用温度/Suitable Temperature	-60°C~+1100°C
泄漏等级/Leakage Level	金属硬密封/Metal sealing D级/D Level
	EPDM 软密封 A级(零泄漏) /EPDM sealing A level (0 leakage)

暗杆刀型闸阀

Non-rising Stem knife gate valve



产品特点

- 1、暗杆刀闸阀采用阀杆侧装，启闭时阀杆无升降动作，节约安装空间。
- 2、闸板底部为U型锋利刀口，可刮除密封面上的粘着物，并能够将流体中介质快速切断。
- 3、闸板表面精磨抛光处理获得了更好的密封效果，也有效保护了填料和阀座的使用寿命。
- 4、阀体上导向块使闸板正确运动，挤压块保证闸板有效密封；全圆形的直流通道设计不存渣、不卡阻。
- 5、阀体内部可制成V型、三角形，以适应流体调节控制的要求。
- 6、产品广泛用于造纸、制糖、矿山、冶金、化工、电力、水处理等行业。

Product Specification

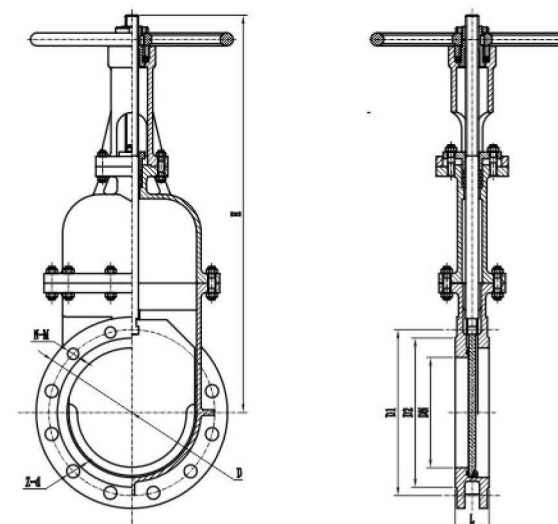
- 1.Non-rising stem knife gate valve is designed the stem side ,stem without lifting while valve is opening/closing ,save installation space.
- 2.The bottom of gate with sharp knife can shave gelling material on the surface of seal,and can cut fluid medium quickly.
- 3.The polishing treatment on the gate surface can enhance the sealing and prolong life-span of packing and seat.
- 4.The guide block of the body lead gate working ,SqueezeBlock ensure effective sealing of gate.
- 5.Inside of the body can design V-Shape ,triangle in order to reach the request of regulation of fluid.
- 6.Products are widely used in paper making,sugar,mining,metallurgy, chemical industry,electric power,water treatment,etc.

技术参数/Technical Specification

公称通径/Nominal Diameter	DN50-1800 2"-48"
压力等级/Pressure rating	0.6MPa、1.0MPa、1.6MPa、2.5MPa、ASME CLASS 150LB
试压标准/Pressure test	DN50-200 16Bar
	DN250-DN400 10Bar
	DN450-600 6Bar
适用温度/Suitable Temperature	-60℃~+1100℃
泄漏等级/Leakage Level	金属硬密封/Metal sealing D级/D Level
	EPDM 软密封 A级（零泄漏）/EPDM sealing A level (0 leakage)

暗板刀型闸阀

Lidded knife gate valve



产品特点

- 1、暗板刀闸阀主要由阀体，闸板和上盖构成。闸板完全封闭在阀腔内，与外界隔绝；上盖设有小的圆形填料口，有效避免流体介质外漏。
- 2、闸板底部为U型锋利刀口，可刮除密封面上的粘着物，并能够将介质快速切断。
- 3、闸板表面精磨抛光处理获得了更好的密封效果，也有效延长了填料和阀座的使用寿命。
- 4、阀体上导向块使闸板正确运动，挤压块保证闸板有效密封。
- 5、产品主要应用于环保要求较高的气体或液体管道。

Product Specification

1. Lidded knife gate valve is composed with body, gate and bonnet. All the knife is closed inside of body to isolate from exterior environment, the round stuffing box in the bonnet could effective avoid medium leakage.
2. The bottom of gate with U sharp knife can shave adhesion on the surface of seal, and can cut medium quickly.
3. The polishing treatment on the gate surface can enhance the use life of packing and seat.
4. The guide block of the body lead gate working ,SqueezeBlock ensure effective sealing of gate.
5. This type knife gate valve is extremely suitable for being applied pipe of gas or liquid with high environment protection.

技术参数/Technical Specification

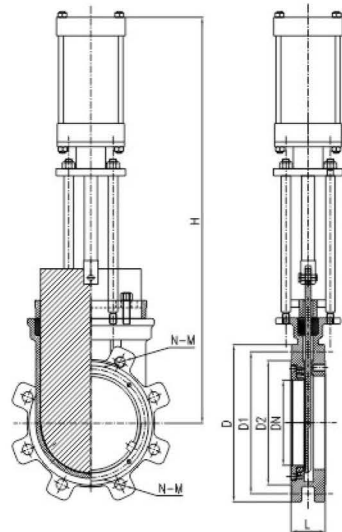
公称通径/Nominal Diameter	DN50-1800 2"-48"
压力等级/Pressure rating	0.6MPa、1.0MPa、1.6MPa、2.5MPa、ASME CLASS 150LB
试压标准/Pressure test	DN50-200 16Bar
	DN250-DN400 10Bar
	DN450-600 6Bar
	DN700-800 5Bar
	DN900-1000 3Bar DN1200-1800 1Bar
适用温度/Suitable Temperature	-60℃~+1100℃
泄漏等级/Leakage Level	金属硬密封/Metal sealing D级/D Level
	EPDM 软密封 A级（零泄漏）/EPDM sealing A level (0 leakage)

活动密封刀闸阀 Moving Sealing knife gate vave



产品特点

- 1、活动密封刀闸阀内部结构更紧密，闸板与密封圈的紧紧相贴，达到更好的密封效果。
- 2、密封圈与阀座为一体式结构，使得密封圈在闸板启闭过程中不会脱落。
- 3、可以在开启阀门的情况下随意更换密封圈，大大提升了刀闸阀使用效率。
- 4、产品广泛用于造纸、制糖、矿山、冶金、化工、电力、水处理等行业。



Product Specification

- 1.Moving -Sealing knife gate valve internal structure more closely,disc and seal tightly stick,achieve better sealing effect.
- 2.Sealing ring and seat is one-piece structure so that the sealing ring can't fall off while opening /closing.
- 3.The sealing ring could exchange while opening valve ,greatly improve the service efficiency of knife gate valve.
- 4.Products are widely used in paper making,sugar,mining,metallurgy, chemical industry,electric power,water treatment,etc.

技术参数/Technical Specification

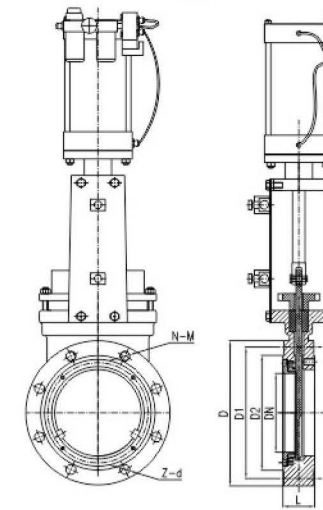
公称通径/Nominal Diameter	DN50-1800 2"-48"
压力等级/Pressure rating	0.6MPa、1.0MPa、1.6MPa、2.5MPa、ASME CLASS 150LB
试压标准/Pressure test	DN50-200 16Bar
	DN250-DN400 10Bar
	DN450-600 6Bar
适用温度/Suitable Temperature	-60℃~+1100℃
泄漏等级/Leakage Level	金属硬密封/Metal sealing D级/D Level
	EPDM 软密封 A级（零泄漏）/EPDM sealing A level (0 leakage)

陶瓷刀型闸阀 Ceramic Knife gate valve



产品特点

- 1、陶瓷刀闸阀主要由阀体和闸板构成，设计紧凑、占据空间小，有效支持管道强度。
- 2、闸板表面单面衬结构陶瓷，耐冲刷，不易被磨损。
- 3、阀体进出口及密封面均衬有陶瓷，增强耐磨性，从而延长阀门使用寿命。
- 4、产品广泛用矿山、冶金、化工、电力等易磨损工况。



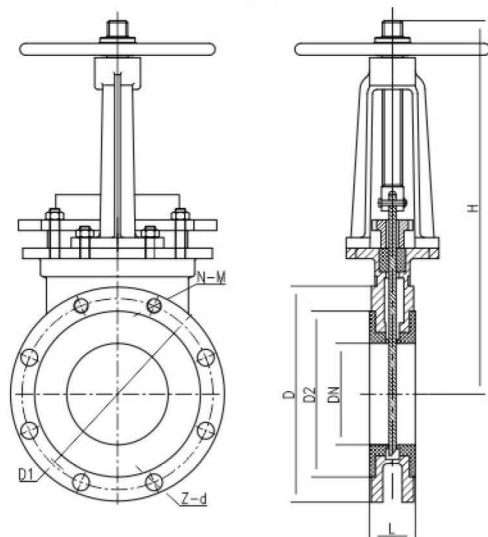
Product Specification

- 1.Ceramic knife gate valve is composed with body and gate,compact design to occupy the little space,effective support strength in the pipe.
- 2.One side of the appearance of gate is lined industrial ceramic which is resistant scour and wear.
- 3.Both input of valve and sealing are lined industrial ceramic which is strength the wear resistance to delay the uselife of valve.
- 4.This valve is widely used in mines, metallurgy, chemical industry, electric power and easily wear condition , etc.

技术参数/Technical Specification

公称通径/Nominal Diameter	DN50-600 2"-248"
压力等级/Pressure rating	0.6MPa、1.0MPa、1.6MPa、ASME CLASS 150LB
试压标准/Pressure test	DN50-200 16Bar
	DN250-DN400 10Bar
	DN450-600 6Bar
适用温度/Suitable Temperature	-29℃~+200℃
泄漏等级/Leakage Level	陶瓷密封/Ceramic sealing V级/V Level

耐胶刀闸阀 Rubber Lined Knife gate valve



产品特点

- 1、刀闸阀主要由阀体和闸板构成，设计紧凑、占据空间小，有效支持管道强度。
- 2、闸板底部为U型刀口，可刮除密封面上的粘着物，并能够将介质快速切断。
- 3、闸板表面精磨抛光处理获得了更好的密封效果，也有效保护了填料和阀座。
- 4、双向密封、零泄漏，全通径设计，使介质流量最大化。
- 5、阀座便于更换，节约了阀门的维护成本。
- 6、耐磨性能优于普通橡胶密封的产品，延长了阀门的使用寿命。
- 7、产品广泛用于造纸、矿山、冶金、化工、电力、水处理等行业。

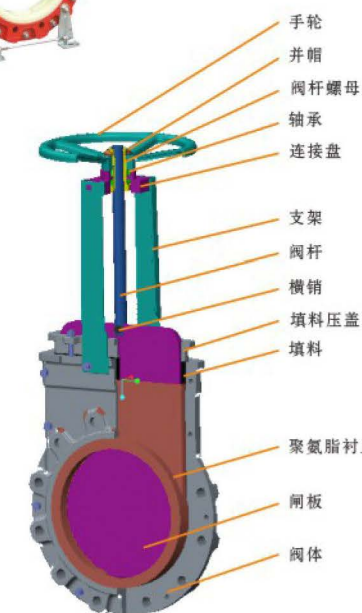
Product Specification

- 1.Knife gate valve is composed with body and gate,compact design to occupy the little space,effective support strength in the pipe.
- 2.The bottom of gate with U sharp knife can shave adhesion on the surface of seal,and could cut medium quickly.
- 3.The polishing treatment on the gate surface can enhance the sealing and protect the packing and seat.
- 4.The knife gate valve is Bi- directional,Zero Leakage,compact design, realize the Maximize the medium flow.
- 5.It is easy to replace the seat to save the maintenance cost of the valve.
- 6.Wear- resisting performance is superior to the ordinary rubber seal, delay the uselife of valve.
- 7.Products are widely used in paper making,sugar,mining,metallurgy, chemical industry,electric power,water treatment,etc.

技术参数/Technical Specification

公称通径/Nominal Diameter	DN50-1800 2"-48"
压力等级/Pressure rating	0.6MPa、1.0MPa、1.6MPa、2.5MPa、ASME CLASS 150LB
试压标准/Pressure test	DN50-200 16Bar
	DN250-DN400 10Bar
	DN450-600 6Bar
适用温度/Suitable Temperature	-60℃~+1100℃
泄漏等级/Leakage Level	金属硬密封/Metal sealing D级/D Level
	EPDM 软密封 A级（零泄漏）/EPDM sealing A level (0 leakage)

刀闸阀聚胺脂衬里 PU lining knife gate valve



产品特点

- 1、介质过流部件整体采用聚胺脂衬里，具备耐磨损、寿命长特点。
- 2、全通径、零泄漏。
- 3、填料采用整体模压橡胶体、使上密封实现零泄漏。
- 4、可更换的整体式聚胺脂衬里和不锈钢闸板，节约了阀门的维护成本。
- 5、产品广泛用于造纸、矿山、冶金、化工、电力、水处理等行业。

Product Specification

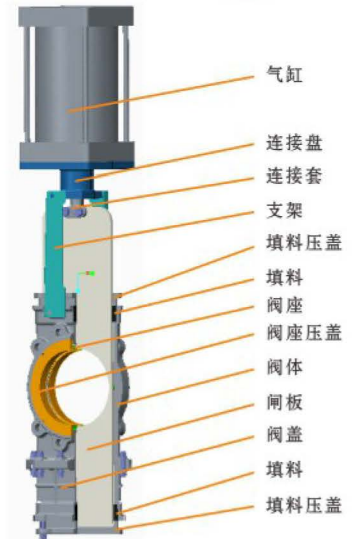
- 1.The entire medium overflow parts generally adopts polyurethane lining which is wear-resistance and has a long service life.
- 2.Full Port,Zero Leakage.
- 3.Packing used one piece molded rubber to achieve zero leakage in the upper seali.
- 4.Replaceable one -piece polyurethane lining and stainless steel gate so that it could save maintenance cost of the gate.
- 5.Products are widely used in paper making,sugar,mining,metallurgy, chemical industry,electric power,water treatment,etc.

技术参数/Technical Specification

公称通径/Nominal Diameter	DN50-600 2"-24"
压力等级/Pressure rating	0.6MPa、1.0MPa、1.6MPa、ASME CLASS 150LB
试压标准/Pressure test	DN50-200 (2"~8") 1.0Mpa
	DN250-400 (10"-16") 0.6Mpa
	DN450-600 (18"~24") 0.5Mpa
适用温度/Suitable Temperature	-20℃~+100℃
泄漏等级/Leakage Level	A级（零泄漏）/A level (0 leakage)

穿透式插板阀

Through conduit knife gate valve



产品特点

- 1、双向密封，此闸板更长且底部伸出阀门，阀体有两个密封填料装置。
- 2、闸板有一个孔状通道，作用：闸板开启时，介质能全部流走，没有滞留，闸板关闭时能完全密封。
- 3、在介质浓度高的条件下，也能保持阀座密封，由于没有滞留区，闸板底部无介质堆积。
- 4、产品广泛用于造纸、化工、制糖等行业设备。

Product Specification

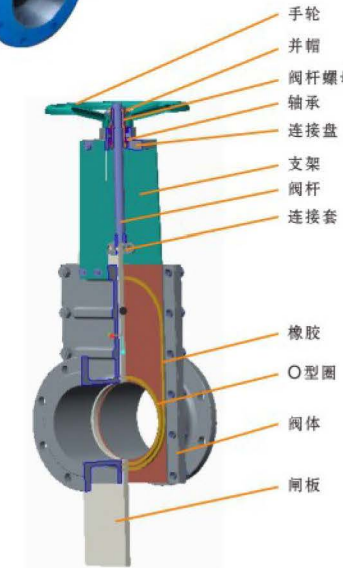
1. Bi-directional sealing, the gate is longer and the bottom extends out of the body and requires two packing glands.
2. The gate forms a cavernous port whose role is that when the gate opens, medium may flow away completely without any detention.
3. The seat keeps sealing in the condition of high concentration of medium, there is no the medium accumulation in the bellow of knife as no the stagnant zone.
4. Product are widely used in paper making, chemical industry and sugar, etc.

技术参数/Technical Specification

公称口径/Nominal Diameter:	DN50-1800 2"-48"
压力等级/Pressure rating:	0.6MPa、1.0MPa、1.6MPa、ASME CLASS 150LB
试压标准/Pressure test:	DN50-200 16Bar
	DN250-DN400 10Bar
适用温度/Suitable Temperature:	-60℃~+1100℃
泄漏等级/Leakage Level:	金属硬密封/Metal sealing D级/D Level
	EPDM软密封 A级(零泄漏) /EPDM sealing A level (0 leakage)

三片组合式矿浆插板闸阀

3-PCS Compostion Slurry Slide Valve



产品特点

- 1、阀体为两片式对夹结构，阀腔内间隙小，不易积渣。
- 2、阀座为双面衬聚胺脂，具有更好的耐磨，耐压性能。避免了“啃圈”现象发生。
- 3、密封可靠，密封间隙调整方便，无跑冒滴漏现象。
- 4、阀门为全通路，其穿透式的结构特性可保证浆体在输送系统中无沉积，开关不卡阻，且有效的杜绝了闸板开关不到位的现象。
- 5、可快速拆换，装配方便，维护费用低。
- 6、产品广泛应用于矿山、煤炭、化工、电厂等距离浆体管道。

Product Specification

1. Body is tow chip structure to the clamp, in cavity of valve clearance is small, not easy to accumulate slag.
2. Sealing is reliable, easy to adjust clearance, no leakage.
3. The valve is full bore, its structure characteristics of the trough conduit can ensure the slurry without deposition in the conveying system.
4. Open/ Close no jam and effective to eliminate the phenomenon of sluice switch does not reach the designated position.
5. Quick changing, convenient assembly, low maintenance cost.
6. Products are widely used in mining, coal, chemical industry, power plant equidistance slurry pipeline.

技术参数/Technical Specification

公称口径/Nominal Diameter	DN50-600 2"-24"
压力等级/Pressure rating	0.6MPa、1.0MPa
试压标准/Pressure test	DN50-200 (2"~8") 1.0Mpa
	DN250-400 (10"-16") 0.6Mpa
	DN450-600 (18"~24") 0.5Mpa
适用温度/Suitable Temperature	-20℃~+120℃
泄漏等级/Leakage Level	PU软密封 A级(零泄漏) /PU sealing A level (0 leakage)

自密封刀型闸阀 Self-sealing Knife Gate Valve



产品特点

- 1、阀体两端为整体橡胶阀座密封，通过两端阀座对夹压紧闸板起到密封效果。
- 2、闸板完全开启时，两端阀座密封面相互紧靠，致使密封无间隙，介质不会流到阀腔内而造成卡阻现象。
- 3、维修方便：不需要从管道上拆下整个阀门，阀门完全开启时，可直接将闸板随意拆下从而进行维修。
- 4、阀体通道内均为耐磨橡胶材质，具有很强的抗磨损，耐腐蚀的特性。
- 5、阀门为全通路，流通性高。
- 6、产品广泛用于造纸、矿山、冶金、化工、电力、水处理等行业。

Product Specification

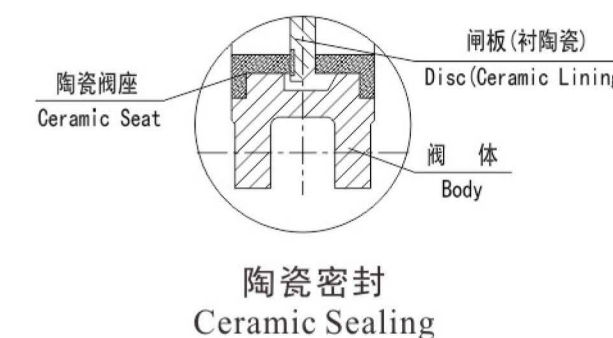
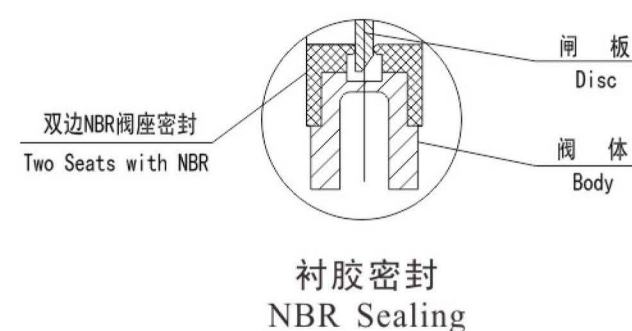
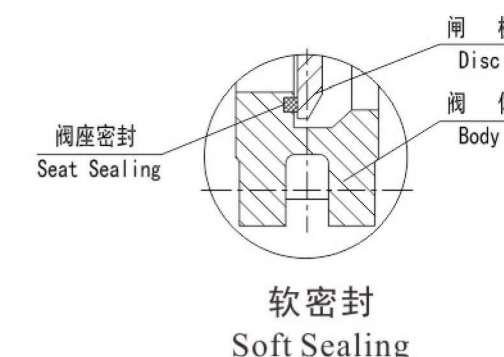
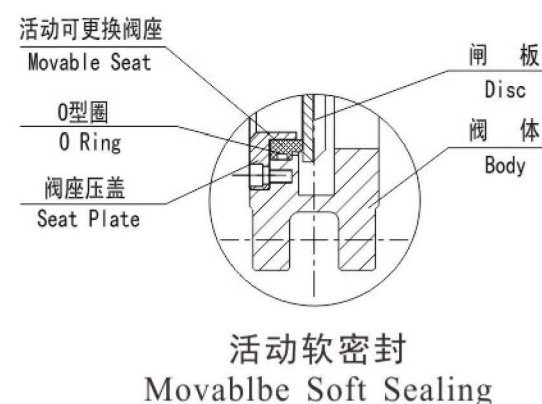
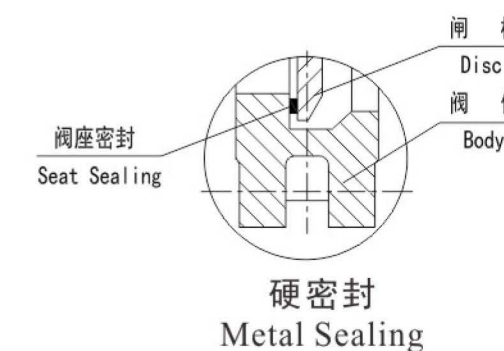
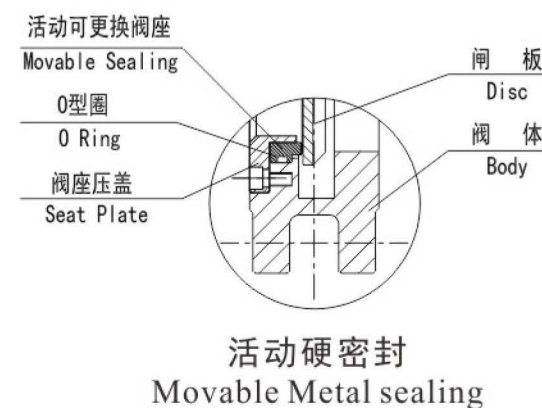
1. For whole rubber seat tightness on both ends of the valve body, it will be sealing through both ends to clamp compact disc sealing effect.
2. Valve seat sealing surface on both ends of the gate when fully open, close to each other, the seal clearance, will not flow into the valve cavity and cause jam phenomenon.
3. Easy maintenance: no need to remove the whole valve from the pipeline, valve fully open, can be directly ram random will be removed to repair.
4. Body channel are wear-resisting rubber material, has a strong resistance to wear and corrosion resistant properties.
5. The valve is full bore with high liquidity
6. Products are widely used in papermaking, mining, metallurgy, chemical industry, electric power, water treatment, etc.



技术参数/Technical Specification

公称通径/Nominal Diameter	DN50-600 2"-24"
压力等级/Pressure rating	0.6MPa、1.0MPa
试压标准/Pressure test	DN50-200 (2"~8") 1.0Mpa
	DN250-400 (10"~16") 0.6Mpa
	DN450-600 (18"~24") 0.5Mpa
适用温度/Suitable Temperature	-20℃~+120℃
泄漏等级/Leakage Level	EPDM 软密封 A级 (零泄漏) / EPDM sealing A level (0 leakage)

阀座结构 Structure of seat



法兰尺寸表

Dimension of flange

PN10(GB/T9113.1)

DN	D	D1	D2	N-Th	d
50	165	125	99	4-M16	φ 18
65	185	145	118	4-M16	φ 18
80	200	160	132	8-M16	φ 18
100	220	180	156	8-M16	φ 18
125	250	210	184	8-M16	φ 18
150	285	240	211	8-M20	φ 23
200	340	295	266	8-M20	φ 23
250	395	350	319	12-M20	φ 23
300	445	400	370	12-M20	φ 23
350	505	460	429	16-M20	φ 23
400	565	515	480	16-M24	φ 27
450	615	565	530	20-M24	φ 27
500	670	620	582	20-M24	φ 27
600	780	725	682	20-M27	φ 30
700	895	840	794	24-M27	φ 30
800	1015	950	901	24-M30	φ 33
900	1115	1050	1001	28-M30	φ 33
1000	1230	1160	1112	28-M33	φ 36
1200	1455	1380	1328	32-M36	φ 39

d:代表凸耳式通孔尺寸
d:Lugged drilling size

PN16(GB/T9113.1)

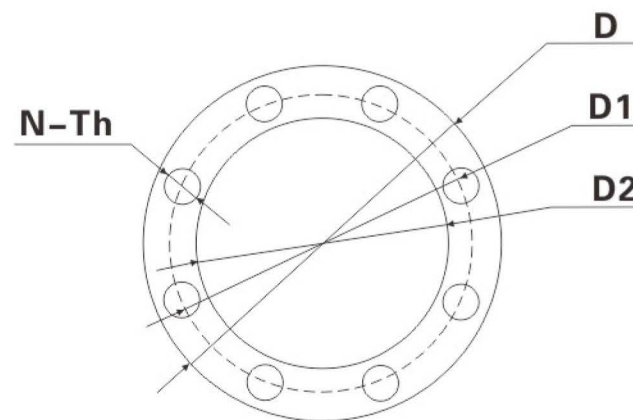
DN	D	D1	D2	N-Th	d
50	165	125	99	4-M16	φ 18
65	185	145	118	4-M16	φ 18
80	200	160	132	8-M16	φ 18
100	220	180	156	8-M16	φ 18
125	250	210	184	8-M16	φ 18
150	285	240	211	8-M20	φ 23
200	340	295	266	12-M20	φ 23
250	405	355	319	12-M24	φ 27
300	460	410	370	12-M24	φ 27
350	520	470	429	16-M24	φ 27
400	580	525	480	16-M27	φ 30
450	640	585	548	20-M27	φ 30
500	715	650	609	20-M30	φ 33
600	840	770	720	20-M33	φ 36
700	910	840	794	24-M33	φ 36
800	1025	950	901	24-M36	φ 39
900	1125	1050	1001	28-M36	φ 39
1000	1255	1170	1112	28-M39	φ 42
1200	1485	1390	1328	32-M45	φ 48

d:代表凸耳式通孔尺寸
d:Lugged drilling size

150LB(ANSI B16.5)

DN	D	D1	D2	N-Th	d
2	152	120.5	92	4-M5/8-11	φ 19
2.5	178	139.5	105	4-M5/8-11	φ 19
3	191	152.5	127	4-M5/8-11	φ 19
4	221	190.5	157	4-M5/8-11	φ 19
5	254	216	186	4-M3/4-10	φ 22
6	279	241.5	216	4-M3/4-10	φ 22
8	343	298.5	270	8-M3/4-10	φ 22
10	406	362	324	12-M7/8-9	φ 25
12	483	532	381	12-M7/8-9	φ 25
14	533	476	413	12-M1-8	φ 29
16	597	539.5	470	16-M1-8	φ 29
18	635	578	533	16-M1 ¹ / ₈ -7	φ 32
20	699	635	584	20-M1 ¹ / ₈ -7	φ 32
24	813	749.5	691	20-M1 ¹ / ₄ -7	φ 35

d:代表凸耳式通孔尺寸 d:Lugged drilling size



刀型闸阀安装使用说明

Installation instruction of knife gate valve

产品概述

- 1、安装前须检查阀门型号是否与工况相符。
- 2、橡胶、四氟等软密封，须检查阀门内腔及密封面等部位有无杂物，如有须清洗干净。
- 3、用于在安装前必须考虑预留阀门驱动装置的必要空间。
- 4、本企业电（电液）动阀门出厂时均已调试好，用户第一次使用时，为防止接线错误，先手动讲阀门开至半开状态，再接通电源进行空载试开。
- 5、气（液）动阀门气源必须保证供给足够气（液）压。
- 6、安装时各螺丝要均匀拧紧。
- 7、安装时不能强烈撞击阀门或任意拧动阀门零部件。
- 8、阀门上密封处外露的，须定期加注密封脂类。
- 9、在较为干燥的地区，阀门驱动装置为正齿轮时，须定期加注润滑油。

维护

可能出现的故障：密封泄漏、上密封密封泄漏、法兰端面、阀门开关卡涩、阀门开关失灵。

可能的故障原因：密封圈有杂物、密封圈损坏、上密封填料松动、上密封填料失效、连接螺栓未均匀拧紧、法兰垫片失效、驱动装置失去润滑、驱动装置损坏。

排除故障的方法：清洁密封面、更换密封圈或研磨密封面、拧紧填料或压盖上的螺栓、注油或更换上密封填料、均匀拧紧法兰连接螺栓更换法兰垫片、给阀门驱动装置加注润滑油、更换驱动装置或请专业人士维修

Installation and application

1. Check valve model according to work conditions before installing.
2. When soft sealing such as rubber and PTFE is used, check valve chamber and sealing face for impurities. Clean if any.
3. Take into consideration the necessary space for valve driving device before in stallation.
4. The electric (electric and hydraulic) valves have been adjusted well in factory. For prevention against incorrect wiring, user shall turn the valve on to a halfopen position during first use and then power on for idling and test run.
5. Air supply of pneumatic/hydraulic valve must ensure sufficient pneumatic/hydraulic pressure.
6. The screws must be tightened evenly during installing.
7. Do not impact the valve intensively during installing or turn valve parts without authorization.
8. Add sealing grease regularly to the exposed parts of the upper sealing of valve.
9. In dry regions, lubricate valve driving device regularly when spur gear is utilized.

Maintenance

Possible malfunction: Sealing leakage, Upper sealing leakage, Flange end surface, Valve switch block, Valve switch failure.
Cause: Impurities in seal ring, Damaged seal ring, Upper sealing filling loosening, Upper sealing filling failure, Connecting bolts not evenly tightened, Flange spacer failure, Driving device not lubricated, Damaged driving device.
Countermeasure: Clean sealing face, Replace or grind sealing face, Tighten the bolts on filling or gland, Lubricate or replace upper sealing filling, Tighten connecting bolts of flange, Replace flange spacer, Add lubricating oil to valve driving device, Replace driving device or ask technician for repair

