

Build China's industrial valve trust brands

打造中国工业阀门信赖品牌!



# 宇明阀门集团

## YUMING VALVE GROUP

浩 瀚 宇 宙 辉 煌 明 天

Harbor the World a Better Tomorrow

SINCE 1972

中国 宇明阀门集团有限公司  
CHINA YUMING VALVE GROUP CO.,LTD

地址: 河南省郑州市荥阳汜水宇明工业园区  
电话: 86-371-64891111  
传真: 86-0371-64892666  
邮箱: sales@ym-valves.com  
网址: www.ym-valves.com

Yuming Valve Group Co.,Ltd

Add:Yuming Industrial Park, Zhengzhou City, Henan Province, China

Tell: 86-371-64891111

Fax: 86-0371-64892666

E-mail: sales@ym-valves.com

Web: www.ym-valves.com



企业资质

# Enterprise Qualification

企业获得的资质和荣誉，  
是对宇明集团过去取得成绩的肯定，  
也是对宇明集团创造明日辉煌的鼓舞和鞭策！  
向新的台阶迈进，  
是宇明人顽强拼搏，  
永远追求的信念！



# 中国·宇明阀门集团有限公司

## CHINA YUMING VALVE GROUP CO.,LTD



Yu Ming Valve Group Co., Ltd. was founded in 1972, covers an area of 82000 square meters industrial park, construction area of 38000 square meters. The existing staff of 700 people, all kinds of professional and technical personnel more than 80 people, the registered capital of RMB 100 million, has developed into a professional valve manufacturing enterprise integrating R & D, manufacturing, testing, sales in the integration of.

The company's main products are safety valve, ball valve, butterfly valve, gate valve, globe valve, check valve, plunger valve, relief valve, drain valve, liquid level meter and non-standard valve of more than 10 varieties, more than two thousand specifications. According to the latest ANSI, API, DIN, GB standard design and manufacture, the product is widely used in power station boiler, industry, petroleum, chemical, construction, medicine, chemical, metallurgy, mining, and some products have replaced the imported, the key equipment used in the national key project. The company has processing equipment, machinery processing center, CNC machine tools, general machine tools more than 200 Taiwan (sets); has a test center, the performance of the domestic advanced valve intermediate frequency electric furnace, heat treatment of metals, plasma spray welding, spectroscopy, material testing machine, spring testing machine, metallographic analyzer, thickness gauge, hardness testing, nondestructive for B10vi processing inspection and large and small valve testing machine testing. Preparation, in strict accordance with international standards for the whole production process quality control, to ensure the excellent quality and good reputation of products.

The company always pay attention to scientific management, improve the technology level, with the "provincial enterprise technology center", 3D software and dynamic application of computer simulation technology to design and development of new products, "Ming" plate valve products sell well all over the country, and exported to Europe and Southeast Asia and other regions. The company is now China General Machinery Industry Association valves Branch member units, Chinese petroleum and Petrochemical Equipment Industry Association member units, China Equipment Corporation sentinel production units, China Petroleum Corporation members of a supply network, Chinese power accessories network members. In 1999 through the ISO9001 international quality management system certification, the State General Administration of quality supervision, inspection and Quarantine of special equipment manufacturing license (pressure piping components, safety accessories) "TS" certification, American Petroleum Institute API 6D certification, ISO 14001 environmental management system certification, Henan province metrological A-level certification. Since 2003, "Ming" brand valve continuous access to "brand-name products in Henan province" and "Henan province famous trademark" honorary title; in 2008, Yu Ming company to become the "National Standardization Technical Committee valve safety valve, ball valve working group" head of the unit, responsible for the national standard related system, revision. In 2008 the company in December by the Henan provincial quality and technical supervision awarded the "provincial quality management advanced enterprise" honorary title in 2008.

April showers bring May flowers. Yu Ming valve group to "safety, quality, meet customer demand; development, innovation, enhance customer satisfaction" as the quality policy, quality system documents as a criterion, strict implementation of national standards, international, to provide customers with first-class products. In forty years, according to the different needs of customers, continuous improvement, constantly absorbing, training of talents, the introduction of advanced technology, networking, intelligent modern management of companies using Kingdee K3 system, to provide customers with fast, comprehensive, excellent service.

Welcome new and old customers to visit our company guidance!

# Constructs A Trustworthy Brand of China Industrial Valves

打造中国工业阀门信赖品牌！



闸阀  
Gate Valve



球阀  
Ball Valve



安全阀  
Safety Valve



蝶阀  
Butterfly Valve



截止阀  
Globe Valve



全焊接球阀  
Welding Ball Valve

美标安全阀  
API Safety valve

黄铜阀门  
Brass Valve

橡胶接头  
Rubber Joint

# Contents 产品目录

## 阀门选型指南 How to order

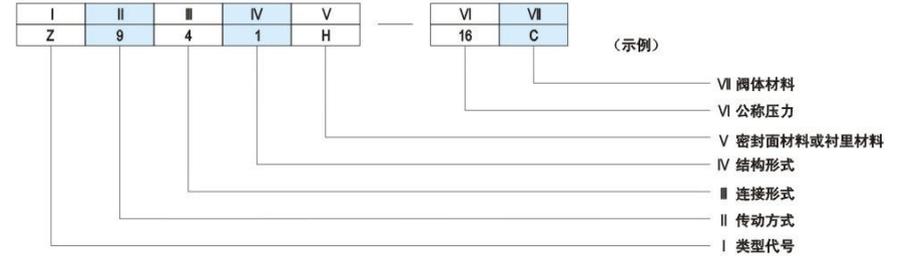


### 国标阀门系列 Country label valve series

### 一、二、三片式球阀 及螺纹阀门系列 Piece ball valve and screw valve series

### API美标阀门系列 API valve series

阀门选型指南 How to order	01-02
GB 球阀 GB Ball Valves	03-05
固定球阀 Trunnion-mounted Ball Valve	06-08
锻钢固定球阀 Forged Steel Trunnion-mounted Ball Valve	09-10
楔式闸阀 Wedge Gate Valves	11-13
截止阀 Globe Valves	14-17
旋启式止回阀 Swing Check Valves	18-19
升降式、立式止回阀 Lift And Vertical Lift Check Valves	20
三通球阀 Three Rolls Ball Valves	21
二通、三通旋塞阀 Two-three Rolls Of Cock Valves	22
过滤器 Strainer Valves	23
一片式内螺纹球阀(精铸) Type Ball Valve With External Thread	24
1000 PSI两片式全通径不锈钢球阀 1000 Psi Stell Less Ball Valves	25
1000 PSI三片式全通径球阀 1000 Psi Pieces Whole Size Ball Valves	26
内螺纹球阀 Type Ball Valve With External Thread	27
外螺纹球阀 Type Ball Valve With External Thread	28
法兰连接球阀 Ball Valve With Flange Connection	29
内螺纹截止阀200磅/时 <sup>2</sup> 200psi Globe Valve, Threaded	30
内螺纹过滤器300磅/时 <sup>2</sup> 300psi Y Strainer, Threaded	31
内螺纹闸阀200磅/时 <sup>2</sup> Gate Valve Threaded 200w.o.g	32
美标铸钢闸阀 API Cast Steel Gate Valve	33-37
美标锻钢闸阀 API Forged Steel Gate Valve	38-39
美标铸钢截止阀 API Cast Steel Globe Valve	40-43
美标锻钢截止阀 API Forged Steel Globe Valve	44-45
美标浮动球阀 API Cast Steel Floating Type Ball Valve	46-49
美标固定球阀 API Trunnion-mounted Ball Valve	50-51
美标锻钢固定球阀 API Forged Steel Trunnion-mounted Ball Valve	52
美标铸钢旋启式止回阀 API Cast Steel Swing Check Valve	53-54
美标锻钢止回阀 API Forged steel Check Valve	55
美标过滤器 API Strainer	56-57



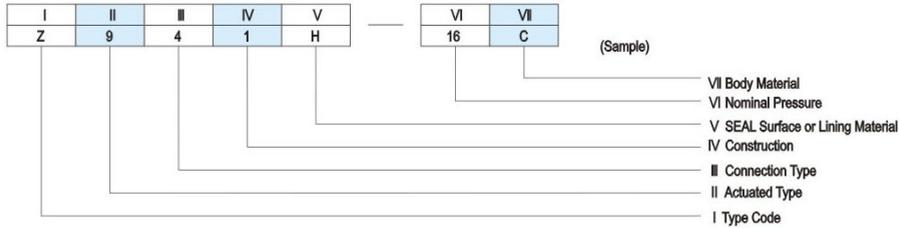
代号	O	1	2	3	4	5	6	7	8	9
Ⅱ-传动方式	电磁动	电磁-液动	电-液动	铜轮	正齿轮	锥齿轮	气动	液动	气-液动	电动
Ⅲ-连接形式	-	内螺纹	外螺纹	-	法兰	-	焊接	对夹	卡箍	卡套动
Ⅰ-类型代号	Ⅵ-结构形式									
闸阀	Z	明杆				暗杆				-
		弹性闸阀		刚性		弹性		刚性		
截止阀	J	-	直通式	Z型式	三通式	角式	直流式	直通式	直角式	-
节流阀	L	-	直通式	Z型式	三通式	角式	直流式	直通式	直角式	-
柱塞阀	U	-	直通式	Z型式	三通式	角式	直流式	直通式	直角式	-
球阀	Q	半球直通	浮动球				固定式			
			直通式	三通式Y形	-	三通式	四通式	直通式	三通式	
蝶阀	D	非密封性三偏心	密封型				非密封性			
			中线式	单偏心	双偏心	连杆机构	三偏心	中线性	单偏心	双偏心
隔膜阀	G	-	屋脊式	-	截止阀	-	直流式	直通式	角式Y形	-
旋塞阀	X	-	填料密封				油密封			
			直通式	T型三通式	四通式	-	直通式	T型三通式	-	
止回阀	H	-	升降式		旋启式		截止止回			
			直通式	立式	角式	单瓣式	双瓣式	多瓣式	回转蝶形	截止止回
安全阀	A	带散热片全启式	弹簧不封闭		带扳手		弹簧不封闭			
			微启式	全启式	双联微启式	全启式	杠杆式	带控制全启式	微启式	全启式
减压阀	Y	-	薄膜式	弹簧薄膜式	活塞式	波纹管式	杠杆式	-	-	-
疏水阀	S	-	浮球式	-	浮桶式	膨胀式	中形浮子式	膜盒式	双金属片式	脉冲式
排污阀	P	-	液面连续排放		液面间断排放		脉冲式			
			直通式	角式	-	-	直流式	直流式	角式	浮动闸板式
Ⅵ公称压力		公称口径的数值用10倍的兆(MPa)数表示; 用于电站工业的阀门, 当介质最高温度超过425℃时, 标注工作压力。								

V-阀座密封面或衬里材料	代号	V-阀座材料	代号
巴氏合金	B	尼龙塑料	N
搪瓷	C	渗碳钢	P
渗氮钢	D	衬铅	Q
氟塑料	F	Mo2Ti系不锈钢	R
陶瓷	G	塑料	S
Cr 13系不锈钢	H	铜合金	T
衬胶	J	橡胶	X
蒙乃尔合金	M	硬合金	Y

Ⅶ-阀体材料	代号	Ⅶ-阀体材料	代号
钛及钛合金	TI	球墨铸铁	Q
碳钢	C	Mo2Ti不锈钢	R
Cr13系不锈钢	H	塑料	S
铬钼钢	I	铜及铜合金	T
可锻铸铁	K	铬钼钒钢	V
铝合金	L	灰铸铁	Z
18-8系不锈钢	P	-	-

注: 1、由阀门直接加工的阀座密封面材料代号用“W”表示;  
2、除隔膜阀外, 当密封材料不同时, 用低硬度材料代号表示。

注: 1、PN≤1.6MPa的灰铸铁阀体和PN≥2.5MPa的碳钢阀体材料可省略代号;  
2、CF3、CF8、CF3M、CF8M等材料牌可直接标注在阀体上。



Code	0	1	2	3	4	5	6	7	8	9	
II-Actuated Type	Electro magnetic	Electro-hydraulic	Electrical-hydraulic	Gear	Spur gear	Angle gear	Pneumatic	Hydraulic	Pneumatic-hydraulic	Electrical	
III-Connection	-	Inside screw	Outside screw	-	Flange	-	Welding	Wafer	Union ring	Compression joint	
I - Type Code	VI -Construction Type										
Gate Valve	Z	Rising stem				Non-rising stem				-	
		Wedge type		Parallel type		Wedge type		Parallel type			
Globe Valve	J	Flexible	Rigid disc				Rigid disc				-
			Single	Double	Single	Double	Single	Double	Single	Double	
Throttle Valve	L	-	Through way	Z-Type	Tee	Angled	Straight flow	Balance type		-	
Piston Valves	U	-	Through way	Z-Type	Tee	Angled	Straight flow	Through way	Ring-angled	-	
Ball Valve	Q	Hale-ball through way	Floatingtype				Trunnion-mounted				-
			Through way	Y-Pattern Tee	-	Tee		Four-way		Through way	
Butterfly Valve	D	Non-seal tri-eccentric	Seal type				Non-Seal type				-
			Center line-type	Single-eccentric	Bi-eccentric	Link mechanism	Tri-eccentric	Center line type	Bi-eccentric	Link mechanism	
Diaphragm Valve	G	-	Weir type	-	Globe type	-	Y-Pattern	Through way type	-	Y-Pattern angle type	-
Plug Valve	X	-	-	-	Packing seal		-	Lubricate seal			-
					Through way type	T-Pattern Tee		Fout-way type	Through way type	Tee-Type	
Check Valve	H	-	Lift type		Swing type		Rotary type		Globe check		-
			Th.way	Vertical type	Angle type	Single-plate	Double disc	Multi-disc	Rotary type butterfly	Globe check	
Safety Valve	A	Full lift with cooling fin	Low lift	Full lift	Spanner type		Lever	Full lift with control	Spanner type		Pulse
					Twin-low	Full lift			Low lift	Full lift	
Reducing Valve	Y	-	Diaphragm	Spring diaphragm	Piston	Bellows	Lever	-	-	-	-
Trap Valve	S	-	Ball float	-	Open bucket	Expansion	Inverted bucket type	Membrane -box	Bi-metal elements	Pulse	Hot-molite force
Waste Valve	P	-	Continuous Discharge		-	-	Discontinuous discharge				-
			Through way type	Angle type			Straight flow type	Through way type	Angle type	Float gate disc type	

V-seat seal surface or lining material	Code	V-seat seal surface or lining material	Code
Babbitt meta	B	Nylon plastic	N
Enamel	C	Boronizing steel	P
Nitrided steel	D	Lead Lining	Q
Fluoroplastics	F	Mo ZTI series SS	R
Ceramic metal	G	Plastic	S
Cr13 series SS	H	Copper alloy	T
Rubber lined	J	Rubber	X
Monel metal	M	Stellite	Y

Remark: 1. Code W is express material of sear surface that direct machining from body.  
2. Except diaphragm valve,it mark with low hardness material code when seal surface material is different.

VII-Body material	Code	V II-Body material	Code
Titanium&titanium alloy	T1	Spheroidal cast iron	Q
Carbon steel	C	Mo2TI series SS	R
Cr13 series SS	H	Plastic	S
Cr-Mo steel	I	COPPER&Copper Alloy	T
Malleable iron	K	Cr-Mo-V steel	V
Aluminum alloy	L	Gray cast iron	Z
18-8series SS	P	-	-

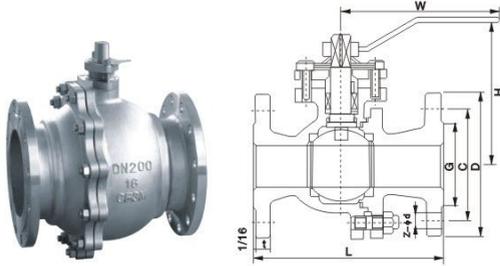
Remark:1. Omit the code if body material is gray cast iron body when PN<=1.6MPa and is carbon steel body when Pn>=2.5MPa.  
2. CF3、CF8、CF3M、CF8M etc material code can direct mark on body.

# 国标阀门系列 Country Label Valve Series



The main products are high, midst and lower press brake valve, stop valve, ball valve, butterfly valve, and screw valve ,pipe and non-standard special valve.

Q41F、Q341F、Q641F、Q941F



结构长度 Face face: GB1221、ANSI B16.10。  
法兰标准 Flange standard: JB19、ANSI B16.5。  
检验和试验 Inspection and test: ZB16006、API598。

**主要性能规范** Chief property and specification

试验压力 (Mpa) Test Pressure	公称压力 PN Nominal pressure(MPa)			
	1.6	2.5	4.0	6.4
壳体强度试验 Shell strength test	2.4	3.8	6.0	9.6
密封试验 (液) seal test	1.8	2.8	4.4	7.0
密封试验 (气) seal test	0.5-0.7			
适用介质 Applicable medium	C 水、蒸汽、油品 Water, steam, oil		P 硝酸类 Nitric acid	R 醋酸类 Acetic acid
适用温度 Applicable temperature	≤200℃			

**主要外形尺寸和连接尺寸** Main external and connecting dimensions

公称口径DN Nominal diameter	公称压力 PN(Mpa) Nominal pressure	L		W	H	D	D1	D2	b	f	z-d
		系列1 Series1	系列2 Series2								
15	PN1.6 C P R L	130	108	130	59	95	65	45	14	2	4-14
20		140	117	130	63	105	75	55	14	2	4-14
25		150	127	160	75	115	85	65	14	2	4-14
32		165	140	160	85	135	100	78	16	2	4-18
40		180	165	230	95	145	110	85	16	3	4-18
50		200	178	230	107	160	125	100	16	3	4-18
65		220	190	400	142	180	145	120	18	3	4-18
80		250	203	400	152	195	160	135	20	3	8-18
100		280	305	700	178	215	180	155	20	3	8-18
125		320	365	1100	252	245	210	185	22	3	8-18
150		360	394	1100	272	280	240	210	24	3	8-23
200		400	457	1500	342	335	295	265	26	3	12-23
200	457	-	398	335	295	265	26	3	12-23		
250	533	-	495	405	355	320	30	3	12-25		
300	610	-	580	460	410	375	30	3	12-25		

Q41F、Q341F、Q641F、Q941F

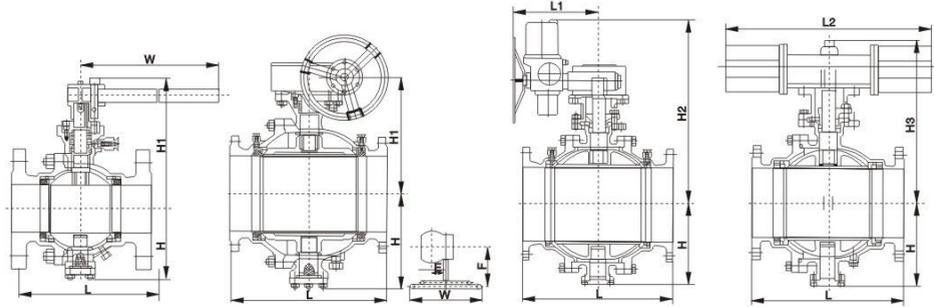
**主要外形尺寸和连接尺寸** Main external and connecting dimensions

公称口径DN Nominal diameter	公称压力 PN(Mpa) Nominal pressure	L		W	H	D	D1	D2	D6	b	f	f1	z-d
		系列1 Series1	系列2 Series2										
15	PN2.5 C P R L	130	140	130	59	95	65	45		16	2		4-14
20		140	152	130	63	105	75	55		16	2		4-14
25		150	165	160	75	115	85	65		16	2		4-14
32		165	180	160	85	135	100	78		18	2		4-18
40		180	190	230	95	145	110	85		18	3		4-18
50		200	216	230	107	160	125	100		20	3		4-18
65		220	241	400	142	180	145	120		22	3		8-18
80		250	283	400	152	195	160	135		22	3		8-18
100		320	305	700	178	230	190	160		24	3		8-23
125		400	381	1100	252	270	220	188		28	3		8-25
150		400	403	1100	272	300	250	218		30	3		8-25
200		502		1500	342	360	310	278		34	3		12-25
250	568		-	495	425	370	332		36	3		12-30	
300	648		-	580	485	430	390		40	4		16-30	
15	PN4.0 C P R L	130	140	130	59	95	65	45	40	16	2	4	4-14
20		140	152	130	63	105	75	55	51	16	2	4	4-14
25		150	165	160	75	115	85	65	58	16	2	4	4-14
32		180	180	160	85	135	100	78	66	18	2	4	4-18
40		200	190	230	95	145	110	85	76	18	3	4	4-18
50		220	216	230	107	160	125	100	88	20	3	4	4-18
65		250	241	400	142	180	145	120	110	22	3	4	8-18
80		280	283	400	152	195	160	135	121	22	3	4	8-18
100		320	305	700	178	230	190	160	150	24	3	4.5	8-23
125		400	381	1100	252	270	220	188	176	28	3	4.5	8-25
150		400	403	1500	272	300	250	218	204	30	3	4.5	8-25
200		550	502	-	398	375	320	282	260	38	3	4.5	12-30
250	568		-	495	445	385	345	313	42	3	4.5	12-34	
300	648		-	580	510	450	408	364	46	4	4.5	16-34	

注: 还可提供蜗轮传动、气动、液动和电动(防爆)球阀。  
Note: also can offer transfer, gas, liquid and power ball valves.



Q347H/F/Y、Q647H/F/Y、Q947H/F/Y



**应用规范**

1. 设计、制造按GB/T12237
2. 结构长度按GB/T12221
3. 连接法兰 JB/T79.1-79.4 GB/T9113.1-9113.4
4. 阀门检查和试验按GB/T13927

**Application norm**

1. Design manufacture according to GB/T12237
2. Face to face according to GB/T12221
3. End flange dimension according to JB/T79.1-79.4GB/T9113.1-9113.4
4. Valve check and test according to GB/T13927

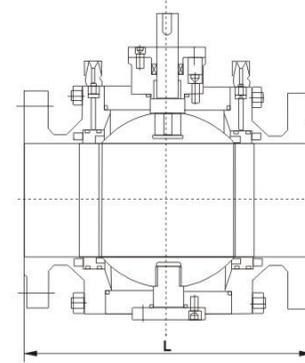
**PN 6.4MPa 主要外形尺寸 Main outline size**

公称直径 DN	25	32	40	50	65	80	100	125	150	200	250	300	350	400	450	500	600	700		
d1	25	32	40	50	65	80	100	125	150	200	250	300	337	387	438	489	591	686		
L	165	180	190	216	241	283	305	356	394	457	533	610	686	762	864	914	1067	1245		
H	50	55	80	102	114	127	152	184	219	273	360	395	430	470	550	580	700	800		
手动 Manual operated	H1	75	85	95	107	125	152	178	200	300	330	368	495	580	625	670	698	840	1050	1100
	E	-	-	-	-	-	-	-	-	116	116	171	171	257	257	257	150	83		
	F	-	-	-	-	-	-	-	-	350	350	400	420	400	420	400	410	650		
电动 Electromotor operated	W	160	160	230	230	400	400	650	1050	1050	600	600	800	800	800	800	800	800	800	
	H2	-	-	-	-	-	-	-	554	600	652	760	770	830	-	940	940	1115		
气动 Pneumatic operated	L1	-	-	-	-	-	-	-	235	235	235	259	400	400	-	410	410	410		
	H3	215	240	264	274	379	389	479	552	666	736	926	1059	1127	1393	1488	1538	1538	1450	
L2	200	270	270	270	405	405	576	576	776	776	1060	1060	1360	1360	1360	1360	1360	2840		

**PN 10.0MPa 主要外形尺寸 Main outline size**

公称直径 DN	25	32	40	50	65	80	100	125	150	200	250	300	350	400	450	500	600	700		
d1	25	32	40	50	65	80	100	125	150	200	250	300	337	387	438	489	591	686		
L	165	180	190	216	241	283	305	381	403	502	533	648	762	838	914	991	1143	1346		
H	50	55	80	102	114	127	152	184	219	273	360	395	430	470	550	580	700	800		
手动 Manual operated	H1	75	85	95	107	125	152	178	200	300	330	368	495	580	625	670	698	840	1050	1100
	E	-	-	-	-	-	-	-	-	116	116	171	171	257	257	257	150	83		
	F	-	-	-	-	-	-	-	-	350	350	400	420	400	420	400	410	650		
电动 Electromotor operated	W	160	160	230	230	400	400	650	1050	1050	600	600	800	800	800	800	800	800	800	
	H2	-	-	-	-	-	-	-	235	235	235	259	400	410	410	-	420	690	690	
气动 Pneumatic operated	L1	-	-	-	-	-	-	-	74	350	235	420	420	400	-	420	410	650		
	H3	215	240	264	340	379	452	479	646	666	736	926	1059	1150	1205	1250	1295	1390	1470	
L2	200	270	270	405	405	574	576	756	756	1060	1060	1060	1360	1360	2840	2840	3300	3300		

Q347H/F/Y、Q647H/F/Y、Q947H/F/Y

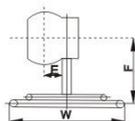
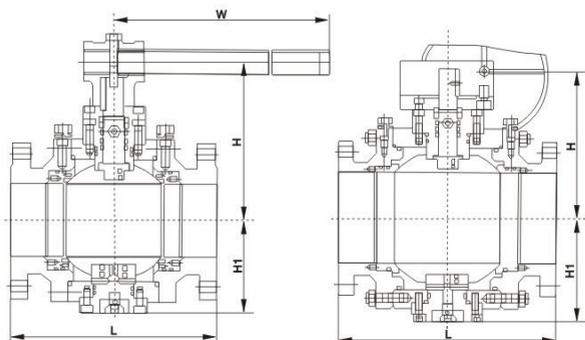


**主要零件材料 Main parts and materials**

序号 N.O.	材料标准 Material standard	材料牌号 Standard				序号 N.O.	零件 名称 Parts name	材料牌号 Standard			
		碳钢 Carbon steel		不锈钢 Stainless steel				碳钢 Carbon steel		不锈钢 Stainless steel	
		GB	ASTM	GB	ASTM			GB	ASTM	GB	ASTM
01	底盖 Lower cover	25	A105	10Cr18Ni9Ti	F304/F316/ F304L/F316L	18	上阀杆 Stem	2Cr13	A276-410	1Cr18Ni9Ti 1Cr18Ni12Mo2Ti	F304/F316/ F304L/F316L
02	底盖螺钉 Lower cover screw nail	35CrMoA	A193-B7	1Cr17Ni2	A193-B8ML	19	上阀杆轴承 Stem bearing	金属夹 PTFE	金属夹 PTFE	金属夹 PTFE	金属夹 PTFE
03	垫圈 Gasket	氟橡胶 Viton; PTFE; 金属夹石墨 wafer metal backed graphite				20	止推轴承 Thrust bearing	PTFE	PTFE	PTFE	PTFE
04	止推轴承 Thrust bearing	金属夹 PTFE				21	阀盖O形圈 Seat O-ring	氟橡胶 Viton	氟橡胶 Viton	氟橡胶 Viton	氟橡胶 Viton
05	下阀杆 Lower stem	2Cr13	A276-410	1Cr18Ni9Ti 1Cr18Ni12Mo2Ti	F304/F316/ F304L/F316L	22	填料O形圈 Packing O-ring	氟橡胶 Viton	氟橡胶 Viton	氟橡胶 Viton	氟橡胶 Viton
06	下阀杆轴承 Lower stem bearing	氟橡胶 Viton; PTFE; 金属夹石墨 wafer metal backed graphite				23	阀杆填料函 Stem packing Box	25镀锌	A105镀锌	1Cr18Ni9Ti 1Cr18Ni12Mo2Ti	F304/F316/ F304L/F316L
07	阀体 Body	WCB	A216-WCB	ZG1Cr18Ni9Ti ZG1Cr18Ni12Mo2Ti	CF8/CF8M/ CF3/CF3M	24	垫圈 Gasket	氟橡胶 Viton; PTFE; 金属夹石墨 Wafer metal and granpille			
08	螺母 Nut	45	A194-2H	0Cr18Ni	A194-8M	25	阀杆填料 Stem packing	石墨 Graphite			
09	双头螺柱 Sutid	35CrMoA	A193-B7	1Cr17Ni2	A193-B8M	26	双头螺柱 Sutid	35CrMoA	A193-B7	1Cr17Ni2	A193-B8M
10	垫圈 Gasket	金属夹石墨 Wlter metal and graphite				27	螺钉 Screw nail	35CrMoA	A193-B7	1Cr17Ni2	A193-B8M
11	阀盖 Body cap	WCB	A316-WCB	ZG1Cr18Ni9Ti ZG1Cr18Ni12Mo2Ti	CF8/CF8M/ CF3/CF3M	28	填料压盖 Gland	WCB	A216-WCB	ZG1Cr18Ni9Ti ZG1Cr18Ni12Mo2Ti	F304/F316/ F304L/F316L
12	阀座O形圈 Seat O'ring	氟橡胶 Viton	氟橡胶 Viton	氟橡胶 Viton	氟橡胶 Viton	29	螺母 Nut	45	A194-2H	0Cr18Ni	A194-8M
13	阀座弹簧 Seat Spring	17-7PH	17-7PH	17-7PH	17-7PH	30	支架 Yoke	WCB	WCB	WCB	WCB
14	阀座 Seat	PTFE; PPL	PTFE; PPL	PTFE; PPL	PTFE; PPL	31	键 Key	40Cr	40Cr	1Cr17Ni2	1Cr17Ni2
15	阀座支承圈 Seat retainer	25镀锌	A105镀锌	1Cr18Ni9Ti 1Cr18Ni12Mo2Ti	F304/F316/ F304L/F316L	32	垫圈 Gasket	氟橡胶 Viton; PTFE; 金属夹石墨 Wafer metal and granpille			
16	球体 Ball	1Cr18Ni9Ti	304	1Cr18Ni9Ti 1Cr18Ni12Mo2Ti	F304/F316/ F304L/F316L	33	排污塞 Drain plug	2Cr13	A276-410	1Cr18Ni9Ti 1Cr18Ni12Mo2Ti	F304/F316/ F304L/F316L
17	球体键 Ball key	40Cr	40Cr	1Cr17Ni2	1Cr17Ni2						



Q347H/F/Y、Q647H/F/Y、Q947H/F/Y



**应用规范**

- 1、设计、制造按GB12237-89
  - 2、结构长度按GB12221-89
  - 3、连接法兰JB79-94
  - 4、阀门检查和试验按GB13927-89
- Application norm
- 1、Design manufacture according to GB12237
  - 2、Face to face according to GB12221-89
  - 3、End flange dimension according to JB79-94
  - 4、Valve check and test according to GB13927-89

PN1.6MPa 主要连接尺寸 Main connection dimensions

公称通径 DN		50	80	100	150	200	250	300	350	400	450	500
L	R F	216	283	305	394	457	533	610	686	762	864	914
	BW	216	283	305	457	521	559	635	762	838	914	991
H1		100	110	130	175	210	274	305	340	395	440	470
H		165	90	200	270	300	380	420	450	530	560	605
W		400	700	850	600	600	600	800	800	800	800	800
E					116	116	116	171	171	257	257	257
F					350	350	350	420	420	500	500	500

PN2.5MPa 主要连接尺寸 Main connection dimensions

公称通径 DN		50	80	100	150	200	250	300	350	400	450	500
L	R F	216	283	305	403	502	568	648	762	838	914	991
	BW	216	283	305	457	521	559	635	762	838	914	991
H1		100	110	130	175	210	274	305	340	395	440	470
H		165	190	200	270	300	380	420	450	530	560	605
W		400	700	850	600	600	600	800	800	800	800	800
E					116	116	116	171	171	257	257	257
F					350	350	350	420	420	500	500	500

Q347H/F/Y、Q647H/F/Y、Q947H/F/Y

PN4.0MPa 主要连接尺寸 Main connection dimensions

公称通径 DN		50	80	100	150	200	250	300	350	400	450	500
L	R F	216	283	305	403	502	568	648	762	838	914	991
	BW	216	283	305	457	521	559	635	762	838	914	991
H1		100	110	130	175	210	274	305	340	395	440	470
H		165	190	200	270	300	380	420	450	530	560	605
W		400	700	850	600	600	600	800	800	800	800	800
E					116	116	116	171	171	257	257	257
F					350	350	350	420	420	500	500	500

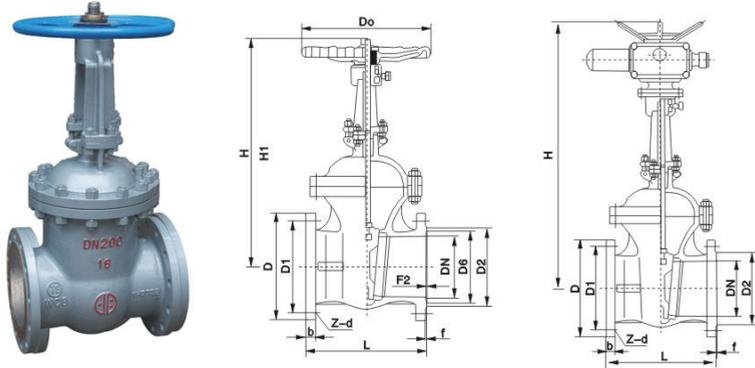
PN6.4MPa 主要连接尺寸 Main connection dimensions

公称通径 DN		50	80	100	150	200	250	300	350	400	450	500
L	R F	292	356	406	495	597	673	762	826	902	978	1054
	BW	292	356	406	495	597	673	762	826	902	978	1054
H1		110	120	140	185	220	270	310	345	410	440	480
H		180	200	210	290	320	380	430	450	550	580	630
W		400	700	850	600	600	600	800	800	800	800	800
E					116	116	116	171	171	257	257	257
F					350	350	350	420	420	500	500	500

PN10.0MPa 主要连接尺寸 Main connection dimensions

公称通径 DN		50	80	100	150	200	250	300	350	400	450	500
L	R F	292	356	432	559	660	787	838	889	991	1092	1194
	BW	295	359	435	562	664	791	841	892	994	1095	1200
	RTJ	292	356	432	559	660	787	838	889	991	1092	1194
H1		110	120	140	185	220	270	310	345	410	440	480
H		180	200	210	290	320	380	430	450	550	580	630
W		400	850	1000	600	600	800	800	800	800	800	800
E					116	116	116	171	171	257	257	257
F					350	350	500	420	420	580	650	735

Z40 H/Y/W、Z940 H/Y/W、Z540 H/Y/W、Z440 H/Y/W



**主要特点及用途:**

1. 结构紧凑、设计合理, 阀门刚性, 通道流畅, 流阻系数小。
2. 密封面采用不锈钢和硬质合金, 使用寿命长。
3. 采用柔性石墨填料、密封可靠, 操作轻便灵活。
4. 驱动方式分手动、电动、气动、齿轮传动, 结构形式: 弹性楔式单闸板、刚性楔式单闸板和双闸板形式。
5. 广泛用于石油化工, 火力发电厂等油品、水、蒸汽管路上作接通或截断管路中介质的启闭装置。

**Chief Features And Usages**

- 1.Compact structure ,reasonable design, good rigidity, smooth channel, small coefficient of flow resistance.
- 2.The sealing face uses stainless steel and carbide alloy and is of long duration.
- 3.Using flexible graphite fillings, reliable sealing, light and nimble operation.
- 4.Four driving ways, manually, electrically, air-actuating and gear-driving, Structure type, elastic wedge type with single gate board, rigid wedge type with single or dual-gate board.
- 5.Widely used as the device of open or close to connect or cut off the medium inside of the pipeline of water, steam or oil goods in steam power plants.

**主要性能规范 Chief property and specification**

**适用范围 Suitable scope**

壳体材料 Shell material	适用介质 Applicable medium	适用温度℃ Applicable temperature
碳素钢 (C型) Carbon steel (I type)	水、蒸汽、油品 Water, steam, oil goods	≤425
铬镍钛钢 (P型) Cr.Ni.Ti.steel (P type)	硝酸类 Nitric acid	≤200
铬镍钛钢 (R型) Cr.Ni.Mo.Ti.steel (R type)	醋酸类 Acetic acid	≤200
铬钼钢 (I型) Cr.Mo steel (I type)	水、蒸汽、油品 Water, steam, oil goods	≤550

**试验压力 Test pressure**

公称压力 PN(MPa) Nominal pressure	试验压力 (MPa) Test pressure			
	壳体 Shell	密封(液) Seal	密封(气) Seal	上密封 Back seat
1.6	2.4	1.8	0.6	1.8
2.5	3.8	2.8	0.6	2.8
4.0	6.0	4.4	0.6	4.4
6.4	9.6	7.0	0.6	7.0
10.0	15.0	11.0	0.6	11.0
16.0	24.0	18.0	0.6	18.0

**主要零件材料 Material for main parts**

阀体、阀盖 Body Bonnet	闸板、阀座 Wedge disc, Seat ring	闸杆 Stem	闸杆螺母 Yoke nut	填料 Packing	手轮 Hand wheel
碳素钢 Carbonizing steel	优质碳钢+硬质合金或不锈钢 High-grade carbon steel+carbide alloy or stainless steel	铬不锈钢 Cr.stainless steel	铝青铜 Al bronze	石墨石棉盘根 Graphite asbestos coils	可锻铸铁 Foraeable cast-iron
铬镍钛钢 Cr.Ni.Ti steel	不锈钢、不锈钢+硬质合金 Stainless steel or+carbide alloy	铬镍钛不锈钢 Cr.Ni.Ti stainless steel	铝青铜 Al bronze	浸渍四氧乙 Dipping polytetraflu-roethylene	可锻铸铁 Foraeable cast-iron
铬镍钼钛钢 Cr.Ni.Mo.Ti steel	不锈钢、不锈钢+硬质合金 Stainless steel or+carbide alloy	铬镍钛不锈钢 Cr.Ni.Ti stainless steel	铝青铜 Al bronze	缠石棉盘根 Asbestos coil	可锻铸铁 Foraeable cast-iron
铬钼钢 Cr.Mo.Steel	合金钢+硬质合金 Alloy steel+Carbide alloy	铬钼铝钢 Cr.Mo.Al steel	铝青铜 Al bronze	柔性石墨 Flexible graphite	可锻铸铁 Foraeable cast-iron

Z40 H/Y/W、Z940 H/Y/W、Z540 H/Y/W、Z440 H/Y/W

**主要尺寸 Main dimensions**

公称直径DN (mm) Nominal diameter	PN.1.6C/P/R/L(MPa)									
	主要外形尺寸和连接尺寸 (mm) Main external connecting dimensions									
	L	D	D1	D2	B	F	Z-d	H	H1	Do
15	130	95	65	45	14	2	4-14	220	240	120
20	150	105	75	55	14	2	4-14	255	284	140
25	160	115	85	65	14	2	4-14	275	303	160
32	180	135	100	78	16	2	4-18	280	321	180
40	200	145	110	85	16	3	4-18	300	352	200
50	250	160	125	100	16	3	4-18	358	438	240
65	285	180	145	120	18	3	4-18	375	450	240
80	280	195	160	135	20	3	8-18	433	528	280
100	300	215	180	155	20	3	8-18	502	620	320
125	325	245	210	185	22	3	8-18	612	753	360
150	350	280	240	210	24	3	8-23	676	847	360
200	400	335	295	265	26	3	12-23	820	1039	400
250	450	405	355	320	30	3	12-25	969	1245	450
300	500	460	410	375	30	3	12-25	1142	1472	560
公称直径DN (mm) Nominal diameter	PN.2.5C/P/R/L(MPa)									
	主要外形尺寸和连接尺寸 (mm) Main external connecting dimensions									
	L	D	D1	D2	B	F	Z-d	H	H1	Do
15	130	95	65	45	16	2	4-14	220	240	120
20	150	105	75	55	16	2	4+14	255	284	140
25	160	115	85	65	16	2	4-14	275	303	160
32	180	135	100	78	18	2	4-18	280	321	180
40	200	145	110	85	18	3	4-18	300	352	200
50	250	160	125	100	20	3	4-18	358	438	240
65	285	180	145	120	22	3	8-18	375	450	240
80	280	195	160	135	22	3	8-18	433	528	280
100	300	230	190	160	24	3	8-23	502	620	320
125	325	270	220	188	28	3	8-25	612	753	360
150	350	300	250	218	30	3	8-25	676	847	360
200	400	360	310	278	34	3	12-25	820	1039	400
250	450	425	370	332	36	3	12-30	969	1245	450
300	500	485	430	390	40	4	16-30	1142	1472	560

Z40 H/Y/W、Z940 H/Y/W、Z540 H/Y/W、Z440 H/Y/W

主要尺寸 Main dimensions

公称通径DN(mm) Nominal diameter	PN4.0C/P/RL(MPa)											
	主要外形尺寸和连接尺寸(mm) Main external connecting dimensions											
	L	D	D1	D2	D6	b	f	f <sub>2</sub>	Z-d	H	H1	Do
20	150	105	75	55	51	16	2	4	4-14	256	285	140
25	160	115	85	65	58	16	2	4	4-14	275	305	160
32	180	135	100	78	66	18	2	4	4-18	287	322	180
40	200	145	110	85	76	18	3	4	4-18	323	369	200
50	250	160	125	100	88	20	3	4	4-18	372	440	280
65	280	180	145	120	110	22	3	4	8-18	395	473	280
80	310	195	160	135	121	22	3	4	8-18	457	552	320
100	350	230	190	160	150	24	3	4.5	8-23	552	671	360
125	400	270	220	188	176	28	3	4.5	8-25	634	726	400
150	450	300	250	218	204	30	3	4.5	8-25	708	883	400
200	550	375	320	282	260	38	3	4.5	12-30	858	1086	450
250	650	445	385	345	313	42	3	4.5	12-34	1015	1298	560
300	750	510	450	408	364	46	4	4.5	16-34	1203	1535	640

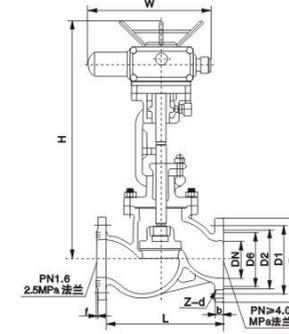
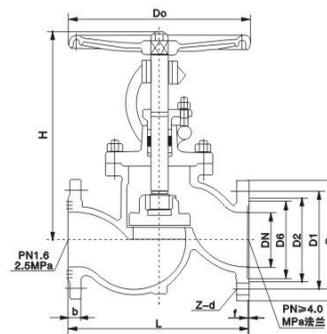
6.4MPa主要连接尺寸 Main connection dimensions

尺寸 Dimension	DN	15	20	25	32	40	50	65	80	100	125	150	200	250	300	350	400
L	mm	170	190	210	230	240	250	280	310	350	400	450	550	650	750	850	950
H	mm	175	180	210	230	350	359	373	435	500	614	674	818	970	1145	1280	1450
W	mm	120	120	140	160	200	240	280	320	360	400	400	450	560	640	800	800

10.0MPa主要连接尺寸 Main connection dimensions

尺寸 Dimension	DN	15	20	25	32	40	50	65	80	100	125	150	200	250
L	mm	170	190	210	230	240	250	280	310	350	400	450	550	650
H	mm	175	180	210	230	350	359	373	435	500	614	674	818	970
W	mm	120	120	160	180	240	280	320	360	400	450	560	640	720

J41 H/Y/W、J941 H/Y/W、J541 H/Y/W



结构特点与用途:

1. 全关时手轮按顺时针方向旋转。
2. 可以安装在管道的任何位置上，介质从下往上流。
3. 不锈钢截止阀适用于各类腐蚀性介质的管道上，有良好的防腐性和足够的强度。
4. 合金钢截止阀适用于耐高温的蒸气、油口管道上，具有耐高温特点。

Structure features and usages:

1. When fully closed. The handwheel rotates clockwise.
2. Able to be mounted on any position of the pipeline, the medium flows from down to up.
3. Stainless steel made stop valve is of good anti-corrosive property and enough strength and suitable for various pipelines with corrosive medium.
4. Alloy steel made stop valve features. High-temperature resistance, suitable for high-temperature steam and oil goods pipelines.

主要性能规范

Chief property and specification

试验压力 Test pressure

公称压力 PN(MPa) Nominal pressure	1.6	2.5	4.0	6.4	10.0	16.0
壳体强度试验 Shell strength test	2.4	3.8	6.0	9.6	15.0	24.0
上密封试验 Back seal test(Mpa)	1.8	2.8	4.4	7.0	11.0	18.0
密封试验 Seal test	1.8	2.8	4.4	7.0	11.0	18.0

使用范围 Applicable

壳体材料 Shell material	适用介质 Suitable medium	适用温度℃ Suitable temperature
碳钢 (C型) Carbon steel (I type)	水、蒸汽、油品 Water, steam, oil goods	≤ 425℃ ≤ 450℃
铬镍钛钢 (P型) Cr.Ni.Ti steel(P type)	硝酸类 Nitric acid	≤ 200℃
铬镍钛钢 (R型) Cr.Ni.Mo.Ti steel(R type)	醋酸类 Acetic acid	≤ 200℃
铬钼钢 (I型) Cr.Mo steel (I type)	水、蒸汽、油品 Water, steam, oil goods	≤ 550℃

J41 H/Y/W、J941 H/Y/W、J541 H/Y/W

主要零件材料 Material for main parts

产品类型 Product classification	零件名称 Part name						
	阀体、阀盖 Body Bonnet	阀杆 Valve stem	阀瓣 Disc	密封面 Sealing face	阀杆螺母 Yoke nut	紧固件 Fastener	手轮 Hand wheel
J41HY-C型 J941HY-C型	25、WCB	铬不锈钢 Cr.Stainless steel	2Cr13 25	H:不锈钢 Y:钴基硬质合金 H:Stainless steel Y:Co-based carbide alloy steel	铝青铜 Al bronze	优质碳素钢 High-grade carbon steel	可锻铸铁 Forgeable cast-iron
J41W-P型 J941W-P型	铬镍钛钢 Cr.Ni.Ti steel	铬镍钛钢 Cr.Ni.Ti steel	铬镍钛钢 Cr.Ni.Ti steel	铬镍钛钢 Cr.Ni.Ti steel	铝青铜 Al bronze	不锈钢 Stainless steel	可锻铸铁 Forgeable cast-iron
J41W-R型	铬镍钼钛钢 Cr.Ni.Mo.Ti steel	铬镍钼钛钢 Cr.Ni.Mo.Ti steel	铬镍钼钛钢 Cr.Ni.Mo.Ti steel	铬镍钼钛钢 Cr.Ni.Mo.Ti steel	铝青铜 Al bronze	不锈钢 Stainless steel	可锻铸铁 Forgeable cast-iron
J41Y-I型 J941Y-I型	铬钼钢 Cr.Mo.steel	铬钼钢 Cr.Mo.steel	合金钢 Alloy steel	钴基硬质合金 合金钢 Co-based carbide alloy steel	铝青铜 Al bronze	合金钢 Alloy steel	可锻铸铁 Forgeable cast-iron

主要尺寸 Main dimensions

公称直径DN(mm) Nominal diameter	PN.1.6C/P/R/L(MPa)								
	主要外形尺寸和连接尺寸(mm) Main external connecting dimensions								
	L	D	D1	D2	B	F	Z-d	H	Do
10	130	90	80	40	14	2	4-14	198	120
15	130	95	85	45	16	2	4-14	218	120
20	150	105	75	55	16	2	4-14	258	140
25	160	115	85	65	16	2	4-14	275	160
32	180	135	100	78	18	2	4-18	280	180
40	200	145	110	85	18	3	4-18	330	200
50	230	160	125	100	18	3	4-18	350	240
65	290	180	145	120	18	3	4-18	400	280
80	310	195	160	135	20	3	8-18	355	280
100	350	215	180	155	22	3	8-18	415	320
125	400	245	210	185	24	3	8-18	460	360
150	480	280	240	210	24	3	8-23	510	400
200	600	335	295	265	26	3	12-23	710	400
250	650	405	355	320	30	3	12-23	786	450
300	750	460	410	375	30	3	12-23	925	500

J41 H/Y/W、J941 H/Y/W、J541 H/Y/W

主要尺寸 Main dimensions

公称直径 DN(mm) Nominal diameter	PN.2.5C/P/R/L(MPa)										电动装置 Electric device
	主要外形尺寸和连接尺寸(mm) Main external and connecting dimensions										
	L	D	D1	D2	b	f	Z-d	H手	H电	Do	
10	130	90	80	40	16	2	4-14	198	-	120	-
15	130	95	85	45	16	2	4-14	218	-	120	-
20	150	105	75	55	16	2	4-14	258	-	140	-
25	160	115	85	65	16	2	4-14	275	-	160	-
32	180	135	100	78	18	2	4-18	280	-	180	-
40	200	145	110	85	18	3	4-18	330	-	200	-
50	230	160	125	100	20	3	4-18	350	645	240	DZW101
65	290	180	145	120	22	3	8-18	400	690	280	DZW101
80	310	195	160	135	22	3	8-18	355	715	280	DZW151
100	350	230	190	160	24	3	8-23	415	770	320	DZW20
125	400	270	220	188	28	3	8-25	480	780	360	DZW30
150	480	300	250	218	30	3	8-25	510	875	400	DZW45
200	600	360	310	278	34	3	12-25	710	967	400	DZW60
250	650	425	370	332	36	3	12-30	786	-	450	-
300	750	485	430	390	40	4	12-30	925	-	500	-

J41 H/Y/W、J941 H/Y/W、J541 H/Y/W

主要尺寸 Main dimensions

公称通径DN(mm) Nominal diameter	PN4.0C/P/RL(MPa)												电动装置 Electric device
	主要外形尺寸和连接尺寸(mm) Main external connecting dimensions												
	L	D	D1	D2	D6	b	f	t2	Z-d	H手	H电	Do	
10	130	90	60	40	35	16	2	4	4-14	198	-	120	-
15	130	95	65	45	40	16	2	4	4-14	233	-	120	-
20	150	105	75	55	51	16	2	4	4-14	275	-	140	-
25	160	115	85	65	58	16	2	4	4-14	285	-	160	-
32	180	135	100	78	66	18	2	4	4-18	302	-	180	-
40	200	145	110	85	76	18	3	4	4-18	355	-	200	-
50	230	160	125	100	88	20	3	4	4-18	373	645	240	DZW10I
65	290	180	145	120	110	22	3	4	8-18	408	690	280	DZW10I
80	310	195	160	135	121	22	3	4	8-18	436	715	320	DZW20I
100	350	230	190	160	150	24	3	4.5	8-23	480	770	360	DZW30I
125	400	270	220	188	176	28	3	4.5	8-25	558	782	400	DZW45
150	480	300	250	218	204	30	3	4.5	8-25	611	875	400	DZW60
200	600	375	320	282	260	38	3	4.5	12-30	720	1160	400	DZW90I

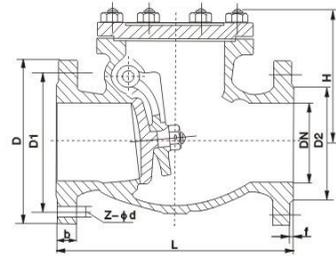
6.4MPa主要连接尺寸 Main connection dimensions

尺寸 Dimension	DN	15	20	25	40	50	65	80	100	125	150
L	mm	170	190	210	230	260	300	340	380	430	550
H	mm	195	228	250	325	360	410	450	485	537	646
W	mm	140	160	180	200	240	280	320	360	400	450

10.0MPa主要连接尺寸 Main connection dimensions

尺寸 Dimension	DN	15	20	25	320	40	50	65	80	100	125	150	220	250	300
L	mm	170	190	210	230	260	300	340	380	430	500	550	650	775	900
H	mm	195	228	250	325	360	410	450	485	537	-	840	925	1015	1200
W	mm	100	100	120	160	160	180	200	200	240	-	-	-	-	-

H44H、H44W、H44Y



应用规范

1. 设计制造按12236-89
2. 结构长度按 GB12221-89
3. 法兰型式及尺寸 JB/T79-94
4. 阀门检查和试验按API STD.598

Application norm

Design Manufacture According to 12236-89  
Face to Face According to GB1221-89  
Flange Dimension According to JB/T79-94  
Valve Check and Test According to API 598

主要性能规范 Chief property and specification

试验压力(MPa) Test pressure	公称压力PN Nominal pressure (Mpa)		
	1.6	2.5	4.0
壳体强度试验 Shell strength test	2.4	3.75	6.0
密封试验(液) seal test	1.76	2.75	4.4
密封试验(气) seal test	0.5-0.7		
适用介质 Applicable medium	C 水、蒸汽、油品 Water, steam, oil	P 硝酸类 Nitric acid	R 油品 Oil
适用温度 Applicable temperature	≤425℃	≤100℃	≤560℃

结构长度 Face to face GB1221-89 法兰标准 Flange standard JB79-59

主要零件材质 Parts material

零件名称 Item	ZG1Cr18Ni9Ti	ZG00Cr18Ni10系列	ZG1Cr18Ni12MoTi系列	ZG00Cr17Ni14Mo系列	WCB系类
阀体/阀盖 body/cap	ZG1Cr18Ni9Ti	ZG00Cr18Ni10	ZG1Cr18Ni12MoTi	ZG00Cr17Ni14Mo	WCB
摇杆 Hinge	ZG1Cr18Ni9Ti	ZG00Cr18Ni10	ZG1Cr18Ni12MoTi	ZG00Cr17Ni14Mo	WCB
阀瓣 Disc	ZG1Cr18Ni9Ti	ZG00Cr18Ni10	ZG1Cr18Ni12MoTi	ZG00Cr17Ni14Mo	WCB
垫片 Gasket	304+PTFE	304L+PTFE	316+PTFE	316L+PTFE	石墨+304 Graphite+304
螺栓 Stud	1Cr17Ni2	1Cr17Ni2	1Cr17Ni2	1Cr17Ni2	35CrMoA
螺母 Nut	1Cr18Ni9Ti	1Cr18Ni9Ti	1Cr18Ni9Ti	1Cr18Ni9Ti	45

### 旋启式止回阀 Swing Check Valves

H44H、H44W、H44Y

主要外形尺寸和连接尺寸 Main external and connecting dimensions

公称通径 DN (mm) Nominal diameter	公称压力 PN(MPa) Nominal pressure	L	H	D	D1	D2	D6	B	F	F2	Z-Φd
15	PN1.6 <sup>C</sup> <sub>PR</sub> <sup>L</sup>	130	77	95	65	45	-	14	2	-	4-14
20		150	77	105	75	55	-	14	2	-	4-14
25		160	80	115	85	65	-	16	2	-	4-14
32		180	85	135	100	78	-	16	2	-	4-18
40		200	95	145	110	85	-	16	3	-	4-18
50		230	105	160	125	100	-	16	3	-	4-18
65		290	120	180	145	120	-	18	3	-	4-18
80		310	130	195	160	135	-	20	3	-	8-18
100		350	140	215	180	155	-	20	3	-	8-18
125		400	155	245	210	185	-	22	3	-	8-18
150	480	180	280	240	210	-	24	3	-	8-23	
200	600	215	335	295	265	-	26	3	-	12-23	
50	PN2.5 <sup>C</sup> <sub>PR</sub> <sup>L</sup>	230	160	160	125	100	-	20	3	-	4-18
65		290	175	180	145	120	-	22	3	-	8-18
80		310	185	195	160	135	-	22	3	-	8-18
100		350	220	230	190	160	-	24	3	-	8-23
125		400	248	270	220	188	-	28	3	-	8-25
150		480	276	300	250	218	-	30	3	-	8-25
200		550	350	360	310	278	-	34	3	-	12-25
250		650	410	425	370	332	-	36	3	-	12-30
300		750	430	485	430	390	-	40	4	-	16-30
350		850	518	550	490	448	-	44	4	-	16-34
400	950	560	610	550	505	-	48	4	-	16-34	
500	1150	618	730	660	610	-	52	4	-	20-41	
50	PN4.0 <sup>C</sup> <sub>PR</sub> <sup>L</sup>	230	169	160	125	100	88	20	3	4	4-18
65		290	173	180	145	120	110	22	3	4	8-18
80		310	185	195	160	135	121	22	3	4	8-18
100		350	220	230	190	160	150	24	3	4.5	8-23
125		400	248	270	220	188	176	28	3	4.5	8-25
150		480	270	300	250	218	204	30	3	4.5	8-25
200		550	342	375	320	282	260	38	3	4.5	12-30
250		650	401	445	385	345	313	42	3	4.5	12-34
300		750	423	510	450	408	364	46	4	4.5	16-34
350		850	455	570	510	465	422	42	4	5	16-34
400	950	510	655	585	535	474	58	4	5	16-41	

6.4MPa 主要连接尺寸 Main connection dimensions

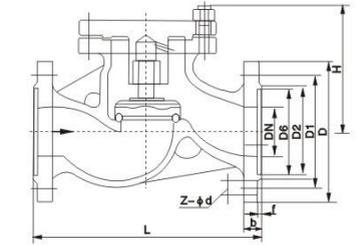
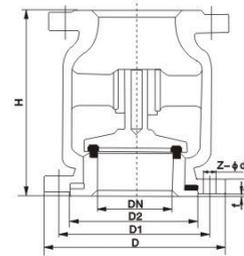
尺寸Dimension	DN	50	65	80	100	125	150	200	250	300	350	400	500
L	mm	300	340	380	430	500	550	650	775	900	1025	1150	1400
H	mm	192	207	207	235	265	297	357	405	465	514	568	620

10.0MPa 主要连接尺寸 Main connection dimensions

尺寸Dimension	DN	50	65	80	100	125	150	200	250	300
L	mm	300	340	380	430	500	550	650	775	900
H	mm	210	227	235	274	307	347	402	432	484

### 升降式、立式止回阀 Lift And Vartical Lift Check Valves

H41W、H42W



主要性能规范 Chief property and specification

试验压力(MPa) Test pressure	公称压力 PN Nominal pressure(MPa)		
	1.6	2.5	4.0
壳体强度试验 Shell strength test	2.4	3.75	6.0
密封试验(液) seal test	1.76	2.75	4.4
密封试验(气) seal test	0.5-0.7		
适用介质 Applicable medium	C 水、蒸汽、油品 Water, steam, oil	P 硝酸类 Nitric acid	R 油品 Oil
适用温度 Applicable temperature	≤425℃	≤100℃	≤550℃

结构长度 Face to face GB1221-89 法兰标准 Flange standard JB79-59

主要外形尺寸和连接尺寸 单位：毫米  
Main external and connecting dimensions Unit:mm

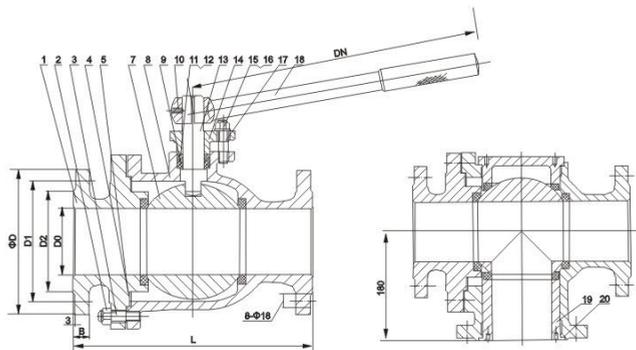
PN	DN	H	D	D1	D2	B	F	Z-Φd			
2.5MPa 4.0MPa	32	120	135	100	78	18	2	4-18			
	40	130	145	110	85	18	3	4-18			
	50	1470	160	125	100	20	3	4-18			
	65	160	180	145	120	22	3	8-18			
	80	185	195	160	135	22	3	8-18			
	100	210	230	190	160	24	3	8-23			
4.0MPa	125	250	270	220	188	28	3	8-25			
	150	300	300	250	218	30	3	8-25			
	200	380	380	310	278	34	3	12-25			
	15	130	100	95	65	45	-	16	2	4-14	
	20	150	105	105	75	55	-	16	2	4-14	
	25	160	120	115	85	65	-	16	2	4-14	
32	180	130	135	100	78	-	18	2	4-18		
40	200	135	145	110	85	-	18	3	4-18		
50	230	149	160	125	100	-	20	3	4-18		
80	310	169	195	160	135	-	22	3	8-18		
100	350	194	230	190	160	-	24	3	8-23		
150	480	255	300	250	218	-	30	3	8-25		
200	600	305	360	310	278	-	34	3	12-25		
6.4MPa	15	130	100	95	65	45	40	16	2	4	4-14
	20	150	105	105	75	55	51	16	2	4	4-14
	25	160	120	115	85	65	58	16	2	4	4-14
	32	180	130	135	100	78	66	18	2	4	4-18
	40	200	135	145	110	85	76	18	3	4	4-18
	50	230	149	160	125	100	88	20	3	4	4-18
	80	310	169	195	160	135	121	22	3	4	8-18
	100	350	194	230	190	160	150	24	3	4.5	8-23
	150	480	255	300	250	218	204	30	3	4.5	8-25
	200	600	305	375	320	282	260	38	3	4.5	12-30

6.4MPa 主要连接尺寸 Main connection dimensions

尺寸Dimension	DN	20	25	32	40	50	65	80	100
L	mm	190	210	230	260	300	340	380	430
H	mm	110	125	152	168	170	188	205	230

## 三通球阀 Three rolls ball valves

Q44F、Q45F



性能范围 specifications

型号 Type	公称压力 Nominal Pressure	试验压力 Test pressure			工作温度(°C) Working Temperature	适用介质 Suitable Medium
		强度(水) (MPa)	密封(水) 空气(MPa)	低压密封 空气(MPa)		
Q45F-16P(R)	1.6	2.4	1.8	0.6	≤ 150	Nitric acid 硝酸类
Q45F-25P(R)	2.5	3.8	2.8	0.6	≤ 150	Nitric acid 硝酸类
Q45F-40P(R)	4.0	6.0	4.4	0.6	≤ 150	Nitric acid 硝酸类

主要零件材料 material for main parts

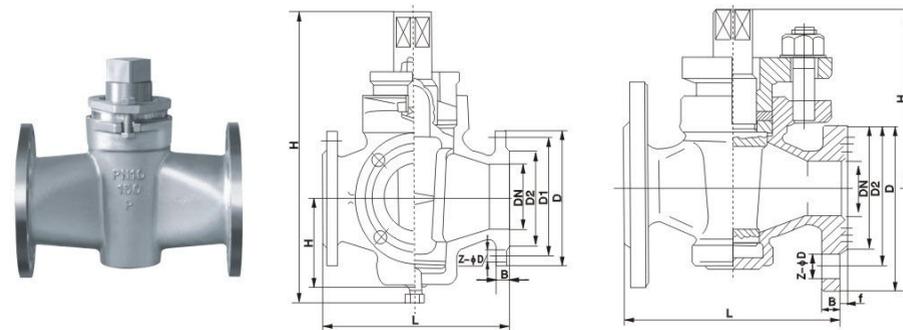
零件名称 Part name	材料 Material	
	Q45F-16C Q45F-25P Q45F-40R	Q45F-16C Q45F-25P Q45F-40R
阀体 Body	铬镍钛钢 Cr Ni Ti steel	铬镍钼钛钢 Cr Ni Mo Ti steel
球体 Ball	铬镍钛钢 Cr Ni Ti steel	铬镍钼钛钢 Cr Ni Mo Ti steel
阀杆 Stem	聚四氟乙烯 PTFE	
密封圈 Seal ring	聚四氟乙烯 PTFE	
扳手 Hand wheel	铸钢 Carbon steel	

主要外形尺寸和连接尺寸 main overall & connecting dimensions

型号 Type	公称口径 DN Standard size	主要结构尺寸 Main dimensions				
		L	H	D	D1	Z-D
C Q44F-16 P Q45F-16 R L	15	140	103	95	65	14-4
	20	180	112	105	75	14-4
	25	180	123	115	85	14-4
	32	200	144	135	100	18-4
	40	220	152	145	110	18-4
	50	240	182	160	125	18-4
	65	280	193	180	145	18-4
	80	280	217	195	160	18-8
	100	320	245	215	180	18-8
	125	360	282	245	210	18-8
C Q44F-25 P Q45F-25 R L	150	440	319	280	240	23-8
	15	115	95	95	65	14-4
	20	145	105	75	75	14-4
	25	160	115	85	85	14-4
	32	200	135	100	100	18-4
	40	220	145	110	110	18-4
	50	240	160	125	125	18-4
	65	280	180	145	145	18-8
	80	280	195	160	160	18-8
	100	320	230	190	190	23-8
125	360	270	220	220	25-8	
150	440	300	250	250	25-8	

## 二通、三通旋塞阀 Two-three rolls of cock valves

X43 H/W、X44 H/W



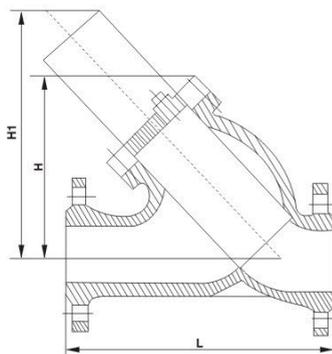
性能规范 Specification

公称压力 Nominal pressure pn	0.6	1.0	MPA
壳体试验压力 Shell test pt	0.9	1.5	
密封试验压力 Pressure seal test	0.66	1.1	
开启压力 Preset pressure pk	0.5-0.7		
适用介质 Applicable media	水、蒸汽、油品 WATER, STEAM, OIL		
适用温度 Applicable temperature	≤ 100°C		

主要外形尺寸和连接尺寸 Main overall & connecting dimensions

单位: 毫米 unit:mm

PN	DN	L	H	D	D1	D2	B	Z-ΦD	H
C PN.0.6 P R L	32	115	150	120	90	70	16	4-14	49
	40	130	180	130	100	80	16	4-14	60
	50	145	210	140	110	90	16	4-14	70
	65	160	254	160	130	110	16	4-14	90
	80	200	307	185	150	125	18	4-18	107
	100	230	365	205	170	145	18	4-18	130
	150	320	550	250	225	200	20	8-18	220
	20	90	124	105	75	55	16	4-14	34
	25	110	133	115	85	65	16	4-14	38
	32	130	152	135	100	78	18	4-18	45
C PN.1.0 P PN.1.6 R L	40	150	182	145	110	85	18	4-18	55
	50	170	236	160	125	100	20	4-18	74
	65	220	264	180	145	120	20	4-18	82
	80	250	297	195	160	135	22	4-18	95
	100	300	425	215	180	155	22	4-18	135
	125	350	482	245	210	185	24	8-18	154
	150	400	512	285	240	210	24	8-23	172



主要技术参数 Main technical parameter

型号 Model	连接形式 Connection type	公称压力 Nominal pressure	耐压试验压力 Proof pressure	工作压力 Working pressure	壳体材料 Shell material	过滤网 Filter screen	网眼总面积 Mesh total area
SY4P-10	法兰 Flange	1.0	1.1	1.0	灰铸铁 gray castiron	不锈钢 Stainless steel	3-4DN
SY4P-16	法兰 Flange	1.6	1.76	1.6	球墨铸铁 Spherical castiron		
SY4P-25	法兰 Flange	2.5	2.75	2.5	碳钢 carbon steel		

主要外形尺寸 Main external dimensions

PN.1.6C/P/R/L(MPa)

公称直径 DN(mm)Nominal diameter	主要外形尺寸和连接尺寸(mm) Main external connecting dimensions				
	L	D	D1	D2	Z-Φd
15	130	95	65	45	4-14
20	145	105	75	55	4-14
25	150	115	85	65	4-14
32	160	135	100	78	4-18
40	200	145	110	85	4-18
50	220	160	125	100	4-18
65	250	180	145	120	4-18
80	275	195	160	135	8-18
100	315	215	180	155	8-18
125	340	245	210	185	8-18
150	380	280	240	210	8-23

一、二、三片式  
球阀及螺纹阀门系列

Piece Ball  
Valve Series

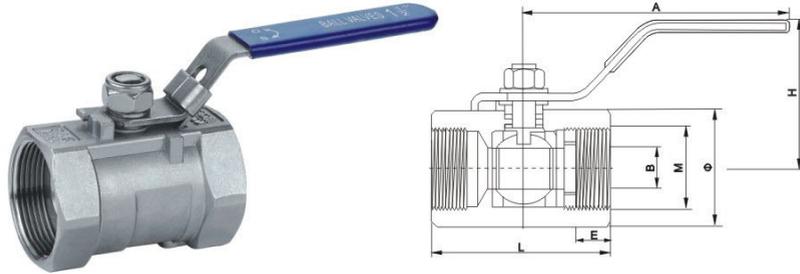


The main products are high, midst and lower press brake valve, stop valve, ball valve, butterfly valve, and screw valve ,pipe and non-standard special valve.



**一片式内螺纹球阀(精铸)**  
Type Ball Valve With External Thread

Q11F



性能规范 Specifications

公称压力 Nominal pressure	PN	2.5,4,	Mpa
强度试验压力 Strength testing pressure	PT	3.8,6,9,6	
低压气密封试验压力 Set testing pressure		0.6	
高压密封试验压力 Seat testing pressure		2.8,4.4,7.04	
适用介质 Applicable media	Q21F-25C 40C	Q21F-25P 40P	Q21F-25R 40R
	水、油品、气 Water,Oil,Steam	硝酸类 Nitric acid	醋酸类 Acetic acid
适用温度 Applicable temperature	-40~180℃		

主要外形尺寸 Main outer size

DN	G	B	L	E	H	A
10	3/8"	8	50	15	30	65
15	1/2"	9.5	56	17	34	85
20	3/4"	12.5	60	18	40	95
25	1"	16	71	20	52	110
32	1 1/4"	20	78	21.5	62	140
40	1 1/2"	25	96	23	68	140
50	2"	32	101	24.5	75	155
65	2 1/2"	40	120	25	82	180

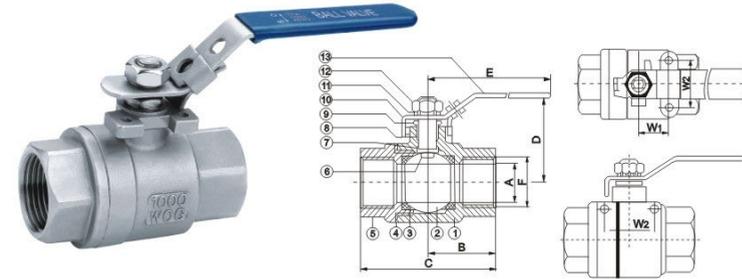
主要零件材料 Materials of main parts

零件名称 Description of parts	Q21F-25,40	Q21F-25P,40P	Q21F-25R,40R
阀体 Valve body	WCB	ZG1Cr18Ni9Ti	ZG1Cr18Ni12Mo2Ti
球体 Ball body	1Cr18Ni9Ti	ZG1Cr18Ni9Ti	ZG1Cr18Ni12Mo2Ti
球杆 Ball rod	1Cr18Ni9Ti	ZG1Cr18Ni9Ti	1Cr18Ni12Mo2Ti
密封圈 Seal ring	聚四氟乙烯 Polytetrafluoroethylene		
填料 Packing	聚四氟乙烯 Polytetrafluoroethylene		



**1000 PSI两片式全通径不锈钢球阀**  
1000 Psi Stell Less Ball Valves

Q11F



产品特征

公称压力: 60kgf/cm<sup>2</sup>  
适用温度范围: -50℃至232℃  
连接形式: 内螺纹  
全流量

Specifications

Working Pressure: 1000PSI WOG  
Temperature Range: -50℃ to 232℃  
End Types: Threaded  
Full Bore

主要零件材料 Main parts and materials v-205s

序号NO	零件名称 Part name	材质 Material	数量QTY
1	阀体Body	不锈钢CF8M	1
2	球体Ball	不锈钢SS316	1
3	密封圈Seat	铁氟隆PTFE	2
4	填料Joining gasket	铁氟隆PTFE	1
5	阀盖End cap	不锈钢CF8M	1
6	阀杆Stem	不锈钢SS316	1
7	止推垫圈Thrust washer	铁氟隆PTFE	1
8	填料Stem packing	铁氟隆PTFE	1
9	填料压盖螺母Gland nut	不锈钢SS304	1
10	手柄Handle	不锈钢SS304	1
11	垫圈Stem washer	不锈钢SS304	1
12	阀杆螺母Stem nut	不锈钢SS304	1
13	手柄套Handle cover	塑料Plastic	1

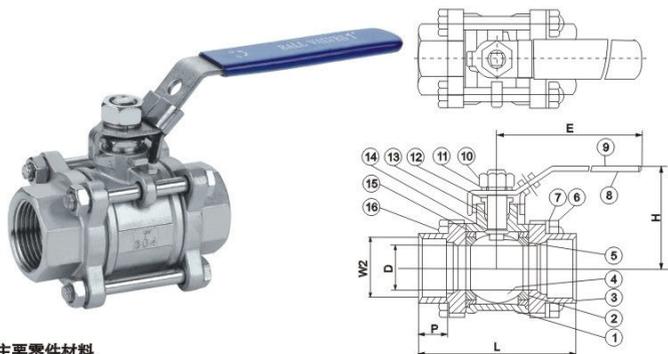
尺寸 Dimensions

SIZE	F	A	B	C	D	E	W1	W2	H
1/4"	1/4" NPT or BSPT	11.6	27.5	57	49	120	12.7	28.5	10-24UNC
3/8"	3/8" NPT or BSPT	12.7	27.5	57	49	120	12.7	28.5	10-24UNC
1/2"	1/2" NPT or BSPT	15	32.5	64	51	120	12.7	28.5	10-24UNC
3/4"	3/4" NPT or BSPT	20	37	75	58	130	22.4	35	10-24UNC
1"	1" NPT or BSPT	25	44	88	70	154	22.4	35	10-24UNC
1 1/4"	1 1/4" NPT or BSPT	32	51	99	80	154	25.4	38.1	1 / 4-20UNS
1 1/2"	1 1/2" NPT or BSPT	38	55	118	88	185	25.4	38.1	1 / 4-20UNS
2"	2" NPT or BSPT	50	62.5	136	97	185	25.4	38.1	1 / 4-20UNS
2 1/2"	2 1/2" NPT or BSPT	65	81.5	161.5	130	250	N/A	58	1 / 4-20UNS
3"	3" NPT or BSPT	80	89	178	148	250	N/A	70	1 / 4-20UNS

## 1000 PSI三片式全通径球阀

### 1000 Psi Pieces Whole Size Ball Valves

Q11F



**产品特点**  
公称压力: 60kgf/cm<sup>2</sup>  
适用温度范围: -50℃至232℃  
连接形式:  
承插焊  
可加挂锁装置和阀座支架

**Specifications**  
Working Pressure: 60kgf/cm<sup>2</sup>  
Temperature Range: -50℃ to 232℃  
End Types: Butt Weld  
Padlocking device and Actuator mounting bracket

主要零件材料  
Main parts and materials v-205s

序号 NO	零件名称 Part name	材质Material		数量 QTY
		不锈钢Stainless steel	碳钢Carbon steel	
1	阀体Body	不锈钢CF8M	碳钢WCB	1
2	密封圈Seat	铁氟隆PTFE	铁氟隆PTFE	2
3	阀盖Cap	不锈钢CF8M	碳钢WCB	2
4	球体Ball	不锈钢SS304	不锈钢SS304	1
5	阀杆Stem	不锈钢SS304	不锈钢SS316	1
6	螺母Nut	不锈钢SS304	FCD45	4
7	垫圈Washer	不锈钢SS304	不锈钢SS304	4
8	手柄套Handle cover	塑料Plastic	塑料Plastic	1
9	手柄Handle	不锈钢CF8M	FCD45	1
10	阀杆螺母Stem nut	不锈钢SS304	B7	1
11	垫圈Stem washer	不锈钢SS304	不锈钢SS304	1
12	填料压盖螺母Gland nut	不锈钢SS304	FCD45	1
13	填料Joining gasket	铁氟隆PTFE	铁氟隆PTFE	1
14	止推垫圈Thrust washer	铁氟隆PTFE	铁氟隆PTFE	1
15	填料Stem packing	铁氟隆PTFE	铁氟隆PTFE	2
16	螺栓Bolt	不锈钢SS304	B8	4

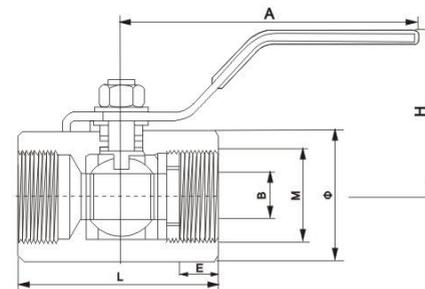
尺寸Dimensions

Size	D	L	H	E	W2	F	P
1/4"	11.6	65	48	120	28.5	14.1	10
3/8"	12.7	65	48	120	28.5	17.6	10
1/2"	15	67	54	120	28.5	21.8	10
3/4"	20	82	57	130	35	27.4	13
1"	25	91	72	154	35	34.1	13
1 1/4"	32	108	79	154	38.1	42.8	16
1 1/2"	38	129	81	185	38.1	48.7	16
2"	50	148	97	185	38.1	61	18
2 1/2"	65	164.5	130	250	58	77	18
3"	80	182.5	148	250	70	89.9	20

## 内螺纹球阀

### Type Ball Valve With External Thread

Q11F



性能规范Specifications

公称压力 Nominal pressure	PN	2.5,4,6,4	MPa
强度试验压力 Strength testing pressure	PT	3.8,6,9,6	
低压气密封试验压力 Set testing pressure		0.6	
高压密封试验压力 Seal testing pressure		2.8,4.4,7.04	
适用介质 Applicable media	25C Q11F-40C 64C	25P Q11F-40P 64P	25R Q11F-40R 64R
	水、油品、气 Water, Oil, Steam	硝酸类 Nitric acid	醋酸类 Acetic acid
适用温度 Applicable temperature		-40~180℃	

主要外形尺寸Main outer size

DN	G	B	L	Φ	E	H	A
6	1/4"	5	48	20	11.5	32	65
10	3/8"	8	55	27	11.5	42	85
15	1/2"	10.5	60	31.5	14	45	95
20	3/4"	13	65	37	15	48	110
25	1"	17	73	43.8	15	53	110
32	1 1/4"	22	88.5	53	18	64	140
40	1 1/2"	25	95	60	19	75	140
50	2"	32	108	73	19	79	155
65	2 1/2"	40	132	88.5	23	90	180
80	3"	50	150	105	27	100	220
100	4"	64	188	135	29	115	220

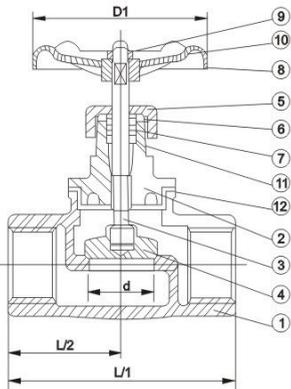
主要零件材料Materials of main parts

零件名称 Description of parts	Q11F-25,40,64	Q11F-25P,40P,64P	Q11F-25R,40R,64R
阀体 Valve body	WCB	ZG1Cr18Ni9Ti	ZG1Cr18Ni12Mo2Ti
球体 Ball body	1Cr18Ni9Ti	ZG1Cr18Ni9Ti	ZG1Cr18Ni12Mo2Ti
球杆 Ball rod	1Cr18Ni9Ti	ZG1Cr18Ni9Ti	1Cr18Ni12Mo2Ti
密封圈 Seal ring	聚四氟乙烯 Polytetrafluoroethylene		
填料 Packing	聚四氟乙烯 Polytetrafluoroethylene		



## 内螺纹截止阀200磅/时<sup>2</sup> 200psi Globe Valve, Threaded

J15W



### 特点

- 1.螺纹类型: BSPT NPT DIN259/2999或ZG、G
- 2.额定压力: 200磅/时<sup>2</sup>
- 3.精密铸造阀体、阀盖、材质CF8M
- 4.适应于液体、油、气体

### Features

- 1.Thread type:BSPT,NPT,DIN259/2999 or ZG,G
- 2.Pressure rating:200 PSI
- 3.Investment casting body and cap Material:CF8M
- 4.Used for water,oil,gas

### 主要尺寸Main dimensions

SIZE	D	L	H	D1	Cv. Factor
1/2 "	15	86	100	70	3.8
3/4 "	20	80	106	70	7.0
1 "	25	90	118	80	11.0
1 1/4 "	32	105	134	80	21.0
1 1/2 "	40	120	152	90	29.0
2 "	50	141	172	100	50.0

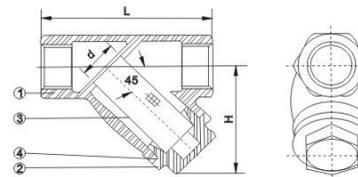
### 材料目录Material list

ATEM	部件Parts	材质Material
1	阀体Body	ASTM A351 CF8M
2	阀盖Bonnet	ASTM A351 CF8M
3	中轴Stem	S.S.316
4	中塞Disc	S.S.316
5	六角帽Packing nut	S.S.316
6	牛楠Gland	S.S.304
7	中口Packing	R-PTFE
8	手轮Hand lewheel	ASTM B85
9	中轴螺帽Stemnut	S.S.304
10	铭牌Name plate	Aluminum alloy
11	垫圈Washer	S.S.304
12	密封圈Gasket	R-PTFE

## 内螺纹 (过滤器、止回阀) (Y Strainer/Swing check valve)Threaded

GL14W、H14W

内螺纹过滤器300磅/时<sup>2</sup> 300psi Y Strainer, Threaded



### 特点Features

- 1.螺纹类型: BSPT NPT DIN259/2999或ZG.G
  - 2.额定压力: 300磅/时<sup>2</sup>
  - 3.精密铸造阀体、阀盖、材质CF8M
  - 4.适应于液体、油、气体
  - 5.S.S.316不锈钢过滤器
- 1.Thread type:BSPT,NPT,DIN259/2999 or ZG.G
  - 2.Pressure rating:300 PSI
  - 3.Investment casting body and cap Material:CF8M
  - 4.Used for water,oil,gas
  - 5.Stainless steel 316 screen

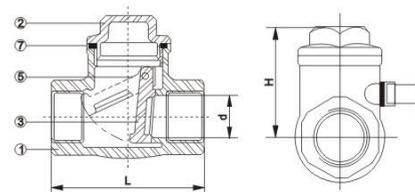
### 材料目录Material list

ATEM	部件Parts	材质Material
1	阀体Body	ASTM A351 CF8M
2	阀盖Bonnet	ASTM A351 CF8M
3	过滤器Screen	S.S.316
4	密封圈Gasket	R-PTFE

### 主要尺寸Main dimensions

SIZE	D	L	H	Cv.Factor
1/4 "	15	78	50	3.5
3/8 "	15	78	50	3.5
1/2 "	15	78	50	3.5
3/4 "	20	93	60	6.5
1 "	25	108	70	10.0
1 1/4 "	32	128	82	19.0
1 1/2 "	40	143	92	26.0
2 "	50	173	118	46.0

内螺纹止回阀200磅/时<sup>2</sup> Swing check valve threaded 200



### 特点Features

- 广泛用于化工工业  
压力定额:  
200 PSI (无应力冲击的油品、气体、水)  
蒸汽压力定额: 150 PSI(工作压力)  
温度范围: +232℃(最大值)  
铸模铸造阀体、中塞和阀盖(固熔化处理)  
螺纹类型: BSPT、NPT或ZG.G  
螺纹阀盖  
旋启式启闭件

For general chemical and industrial services  
Pressure rating:200 psi w.o.g(non-chock)  
Steam rating:150 psi wsp  
Temperature range:+232°Cmax  
Investment cast body & bonnet(bolulion-treated)  
End type:threaded bsp/npt or zg、g  
Screwed bonnet  
Swing type disc

### 压力温度定额

低于120℃的无应力冲击水  
低于220℃的油品、气体、水  
炮和蒸汽

### Pressure temperature ratings

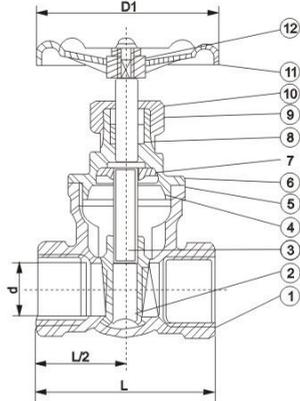
Below120 non-shock water 200PSI(14kgf/cm<sup>2</sup>) (最大值) 200psi(14kgf/cm<sup>2</sup>) (max)  
Below220 air,water,oil,gas 150PSI(14kgf/cm<sup>2</sup>) (最大值) 150psi(14kgf/cm<sup>2</sup>) (max)  
Saturated steam 150PSI(14kgf/cm<sup>2</sup>) (最大值) 150psi(14kgf/cm<sup>2</sup>) (max)

### 材料目录Material list

ATEM	部件Parts	材质Material
1	阀体Body	ASTM A351 CF8M
2	阀盖Bonnet	ASTM A351 CF8M
3	中塞Disc	ASTM A351 CF8M
4	螺栓Plug	S.S.316
5	插销Pin	S.S.316
6	小薄片Plug gasket	PTFE
7	大薄片Gasket	PTFE

### 主要尺寸Main dimensions

SIZE	d	L	H	Cv. Factor
1/2 "	15	65	44	6.9
3/4 "	20	80	53	16.3
1 "	25	90	58	30.0
1 1/4 "	32	105	62	49.0
1 1/2 "	40	120	73	72.0
2 "	50	141	78	130.0



**特点**

广泛用于化工工业  
 压力定额: 200 PSIW.O.G(无应力冲击的油品、气体、水)  
 蒸汽压力定额: 150 PSI (工作气压)  
 温度范围: +253°C (最大值)  
 蜡模铸造阀体、中盖和阀盖 (固溶化处理)  
 螺纹类型: BSPT、NPT或ZG.G  
 内螺纹和带螺纹阀盖  
 无升降阀杆和手轮  
 刚性楔式闸阀  
 高性能低成本

**Features**  
 For general chemical and industrial services  
 Pressure rating:200psi w.o.g(non-shock)  
 Steam rating:150psi wsp  
 Temperature range:+253°Cmax  
 Investment cast body & bonnet(solubion-treated)  
 End type:threaded bsp、npt or zg、g  
 Inside screw and screwed bonnet  
 Non-rising stem and handwheel  
 Solid wedge disc  
 High performance and low cost

**材料目录Material list**

ATEM	部件Parts	材质Material
1	阀体 Body	ASTM A351 CF8M
2	阀盖 Bonnet	ASTM A351 CF8M
3	中轴 Stem	S.S.316
4	中盖 Disc	ASTM A351 GR.CF8M
5	厚垫片 Stop ring	R-PTFE
6	弹簧片 Lock nut	S.S.304
7	密封圈 Gasket	S.S.316
8	中口 Packing	R-PTFE
9	牛帽 Gland	S.S.304
10	六角帽 Packing nut	S.S.316
11	手轮 Handwheel	铝合金 Aluminum alloy
12	手轮螺帽 Handwheel nut	S.S.304

**主要尺寸Main dimensions**

Size	d	L	H	D1	Cv FACTOR
1/2 "	15	55	92	70	17.6
3/4 "	20	60	99	70	32.0
1 "	25	66	113	80	54.0
1 1/4 "	32	76	128	80	97.0
1 1/2 "	40	86	147	90	135.0
2 "	50	96	168	100	230.0

**压力温度定额**

Pressure temperature ratings

低于120°C的无应力冲击水 200Psi(14kgf/cm<sup>2</sup>) (最大值)  
 低于220°C的油品、气体、水 150Psi(10kgf/cm<sup>2</sup>) (最大值)  
 饱和蒸汽 150Psi(10kgf/cm<sup>2</sup>) (最大值)

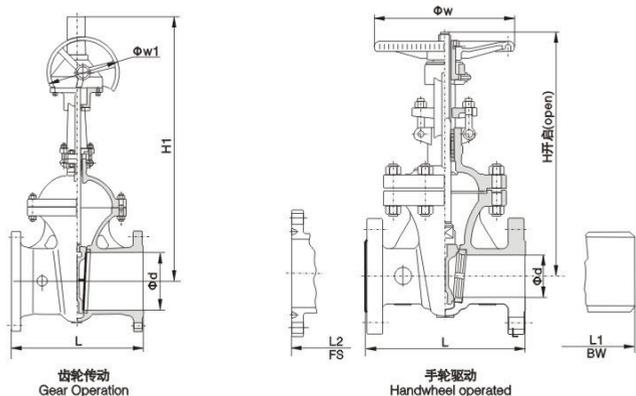
Below120 non-shock water 200psi(14kgf/cm<sup>2</sup>) (max)  
 Below220 air,water,oil,gas 150psi(10kgf/cm<sup>2</sup>) (max)  
 Saturated steam 150psi(10kgf/cm<sup>2</sup>) (max)

美标阀门系列  
**API**  
Valve Series



The main products are high, midst and lower press brake valve, stop valve, ball valve, butterfly valve, and screw valve ,pipe and non-standard special valve.

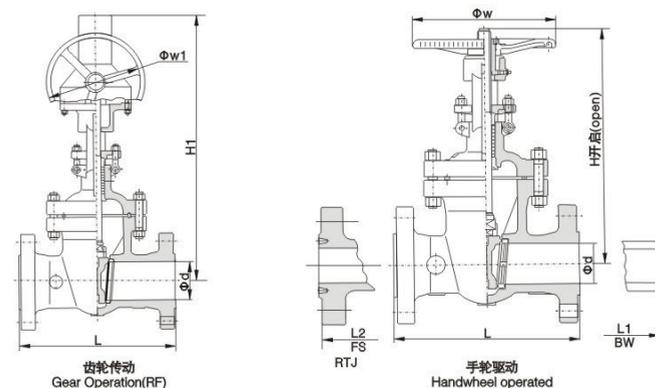
Class 300



美标300Lb铸钢闸阀 Class 300 Cast Steel Gate Valve

压力等级 Class	规格Size		尺寸Dimensions(mm)								重量 Weight(kg)	
	NPS	DN	L			d	H	H1	W	W1	H.W	G.O
			R F	RTJ	BW							
300	1/2	15	140	151	140	14	198	-	120	-	6	-
	3/4	20	152	165	152	19	215	-	140	-	7	-
	1	25	165	178	165	25	245	-	160	-	10	-
	1 1/4	32	178	191	178	32	306	-	180	-	15	-
	1 1/2	40	190	203	190	38	400	-	200	-	21	-
	2	50	216	232	216	51	420	-	200	-	24	-
	2 1/2	65	241	257	241	64	446	-	200	-	34	-
	3	80	283	298	283	76	537	-	250	-	43	-
	4	100	305	321	305	102	619	650	280	310	63	100
	5	125	381	397	381	127	722	750	300	310	99	126
	6	150	403	419	403	152	806	835	350	310	140	186
	8	200	419	435	419	203	1000	1030	400	310	218	235
	10	250	457	473	457	254	1240	1280	450	310	350	386
	12	300	502	518	502	305	1425	1460	500	310	510	502
	14	350	762	778	762	337	1585	1620	600	460	800	756
	16	400	838	854	838	387	1790	1830	500	460	923	965
	18	450	914	930	914	438	1960	2000	650	460	1131	1224
	20	500	991	1010	991	489	2158	2220	750	460	1345	1400
	24	600	1143	1165	1143	591	2576	2620	900	600	2122	2385
	26	650	1245	1270	1245	633	-	2850	-	600	-	3000
28	700	1346	1372	1346	684	-	3080	-	600	-	3300	
30	750	1397	1422	1397	735	-	3180	-	600	-	3550	
32	800	1524	1553	1524	779	-	3300	-	600	-	4400	
34	850	1626	1654	1626	830	-	3550	-	600	-	5200	
36	900	1727	1756	1727	874	-	3760	-	600	-	6050	

Class600、Class 900

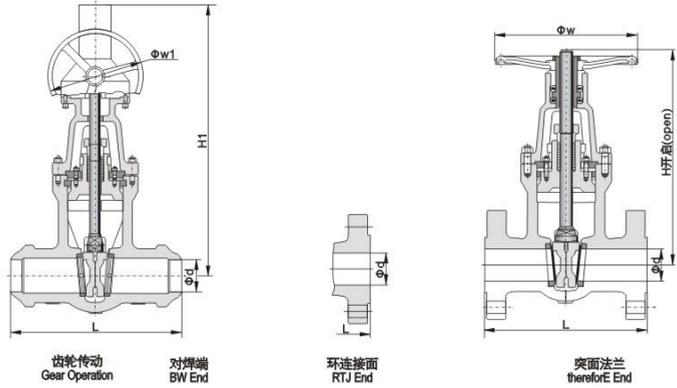


美标600Lb、900Lb铸钢闸阀 Class 600 & Class 900 Cast Steel Gate Valve

压力等级 Class	规格Size		尺寸Dimensions(mm)								重量 Weight(kg)	
	NPS	DN	L			d	H	H1	W	W1	H.W	G.O
			R F	RTJ	BW							
Class 600	2	50	292	295	292	51	444	-	200	-	32	-
	2 1/2	65	330	333	330	64	500	-	250	-	52	-
	3	80	356	359	356	76	558	585	280	310	60	87
	4	100	432	435	432	102	665	695	300	310	107	134
	5	125	508	511	508	127	780	790	350	310	175	227
	6	150	559	562	559	152	868	900	450	310	216	268
	8	200	660	664	660	203	1073	1110	500	310	399	451
	10	250	787	791	787	254	1263	1300	650	460	605	657
	12	300	838	841	838	305	1600	1650	700	460	851	893
	14	350	889	892	889	337	1705	1750	900	460	1177	1232
	16	400	991	994	991	387	1835	1900	900	460	1513	1568
	18	450	1092	1095	1092	438	-	2020	-	600	-	1980
	20	500	1194	1200	1194	489	-	2172	-	600	-	2460
	24	600	1397	1407	1397	591	-	2650	-	600	-	3650
	2	50	368	371	368	51	500	-	280	-	70	-
	2 1/2	65	419	422	419	64	550	-	280	-	110	-
3	80	381	384	381	76	610	660	300	310	140	167	
4	100	457	460	457	102	702	750	350	310	200	227	
5	125	559	562	559	127	850	900	400	310	258	285	
6	150	610	613	610	152	980	1060	500	460	358	410	
8	200	737	740	737	203	1100	1140	650	460	550	600	
10	250	838	841	838	254	1320	1370	700	460	1000	1100	
12	300	965	968	965	305	1500	1560	900	460	1215	1310	
14	350	1029	1038	1029	322	1900	1950	900	600	1600	1700	
16	400	1130	1140	1130	373	2050	2100	900	600	2150	2330	

**美标铸钢闸阀**  
API Gast Steel Gate Valve

Class1500、Class2500

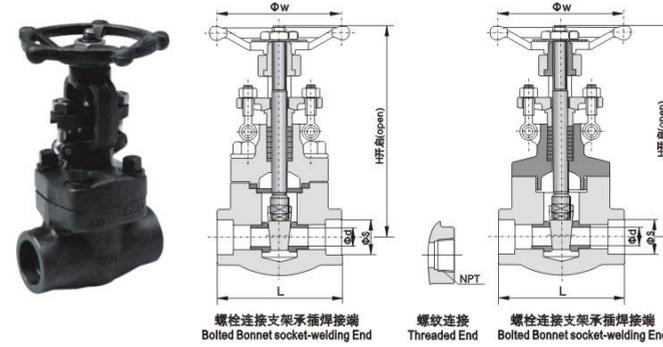


美标1500Lb 2500Lb铸钢闸阀 Class 1500 & Class 2500 Cast Steel Gate Valve

压力等级 Class	规格Size		尺寸Dimensions(mm)								重量 Weight (kg)	
	NPS	DN	L			d	H	H1	W	W1	H.W	G.O
			R F	RTJ	BW							
Class 1500	2	50	368	371	368	51	510	-	280	-	70	-
	2 1/2	65	419	422	419	64	560	-	300	-	110	-
	3	80	470	473	470	76	620	670	350	310	175	202
	4	100	546	549	546	102	728	770	400	310	270	300
	5	125	673	676	673	127	870	920	450	310	378	405
	6	150	705	711	705	144	1000	1070	500	460	520	575
	8	200	832	841	832	192	1130	1180	750	460	820	915
	10	250	991	1000	991	239	1360	1410	900	600	1560	1750
	12	300	1130	1146	1130	287	-	1620	-	600	-	2120
	14	350	1257	1276	1257	315	-	2020	-	600	-	2600
16	400	1384	1407	1384	360	-	2180	-	600	-	3450	
Class 2500	2	50	451	454	451	42	530	580	280	310	100	130
	2 1/2	65	508	514	508	52	580	630	300	310	150	180
	3	80	578	584	578	62	650	700	350	310	245	275
	4	100	673	683	673	87	750	800	400	310	390	420
	5	125	794	807	794	96	900	960	500	460	550	580
	6	150	914	927	914	131	1040	1100	600	460	780	835
	8	200	1022	1038	1022	179	1150	1200	750	460	1260	1355
	10	250	1270	1282	1270	223	1400	1460	900	600	2380	2565
12	300	1422	1445	1422	265	-	1660	-	600	-	3250	

**美标锻钢闸阀**  
API Forged Steel Gate Valve

Class800、Class900、Class1500



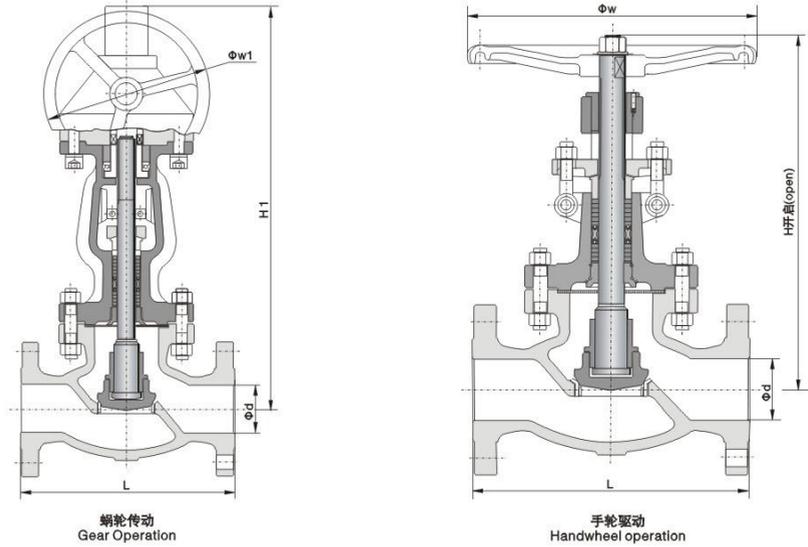
**执行标准**  
设计与制造: API 602.  
测试与试验: API 598.  
承插焊接尺寸: ASME B16.11.  
螺栓连接尺寸: ASME B16.11.  
压力温度额定值: ASME B16.34.

**Standards**  
Design and Manufacture: API 602.  
Inspection and Test: API 598.  
Socket-weld end: ASME B16.11.  
threaded End dimension: ASME B16.11  
Pressure-temperature ratings: ASME B16.34

美标800Lb~1500Lb锻钢闸阀 Class800~Class1500 Forged Steel Gate Valve

压力等级 Class	规格Size		尺寸Dimensions(mm)						重量 Weight (kg)
	NPS	DN	L	d	S	H	W	NPT	
3/4	20	111	12.7	27.1	196	100	3/4	4.20	
1	25	120	17.5	33.8	223	125	1	5.70	
1 1/4	32	120	23.8	42.6	251	160	1 1/4	7.05	
1 1/2	40	140	28.6	48.7	290	180	1 1/2	10.90	
2	50	178	36.5	61.1	333	200	2	16.80	
900	1/2	15	111	9.5	21.8	192	125	1/2	4.20
	3/4	20	120	12.7	27.1	219	160	3/4	5.70
	1	25	120	17.5	33.8	243	160	1	7.00
	1 1/4	32	140	23.8	42.6	296	180	1 1/4	10.50
	1 1/2	40	128	28.6	48.7	316	200	1 1/2	16.80
2	50	180	36.5	61.1	370	220	2	23.00	
1500	1/2	15	111	9.5	21.8	192	125	1/2	4.20
	3/4	20	120	12.7	27.1	219	160	3/4	5.70
	1	25	120	17.5	33.8	243	160	1	7.00
	1 1/4	32	140	23.8	42.6	296	180	1 1/4	10.50
	1 1/2	40	178	28.6	48.7	316	200	1 1/2	16.80
	2	50	180	36.5	61.1	370	220	2	23.00

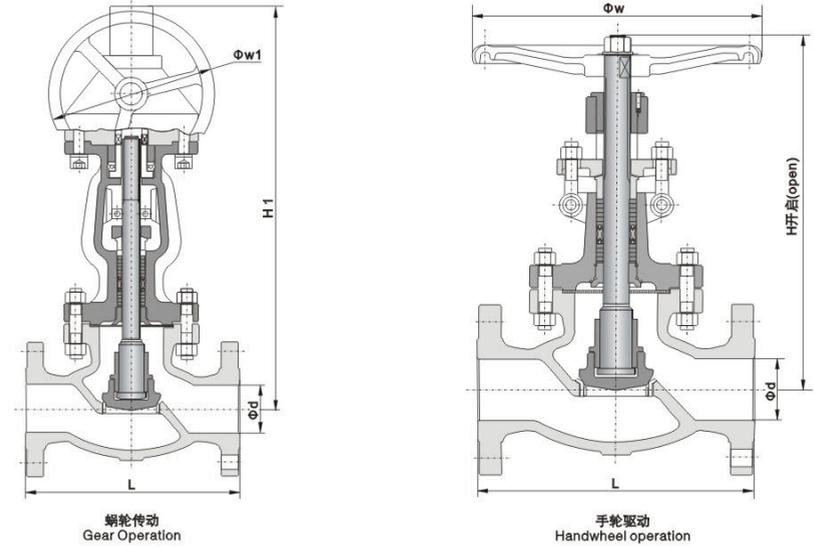
Class150



美标150Lb铸钢截止阀 Class 150 Cast Steel Globe Valve

压力等级 Class	规格Size		尺寸Dimensions(mm)								重量 Weight (kg)	
	NPS	DN	L			d	H	H1	W	W1	H.W	G.O
			R F	RTJ	BW							
150	1/2	15	108	119	108	13	192	-	100	-	4	-
	3/4	20	117	130	117	19	193	-	100	-	6	-
	1	25	127	140	127	25	217	-	100	-	8	-
	1 1/4	32	140	152	140	32	235	-	135	-	12	-
	1 1/2	40	165	178	165	38	258	-	135	-	16	-
	2	50	203	216	203	51	330	-	200	-	17.5	-
	2 1/2	65	216	229	216	64	360	-	250	-	29	-
	3	80	241	254	241	76	390	-	280	-	32	-
	4	100	292	305	292	102	445	-	300	-	51	-
	5	125	356	369	356	127	480	-	350	-	67	-
	6	150	406	419	406	152	520	556	350	310	92	258
	8	200	495	508	495	203	600	658	400	310	147	300
10	250	622	635	622	254	773	805	450	460	250	450	
12	300	698	711	698	305	880	955	500	460	415	725	

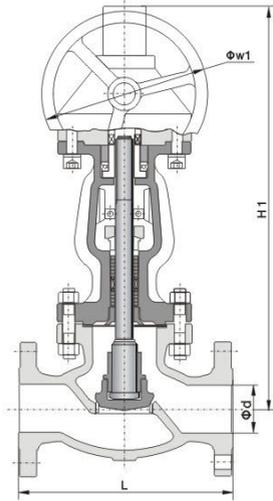
Class300



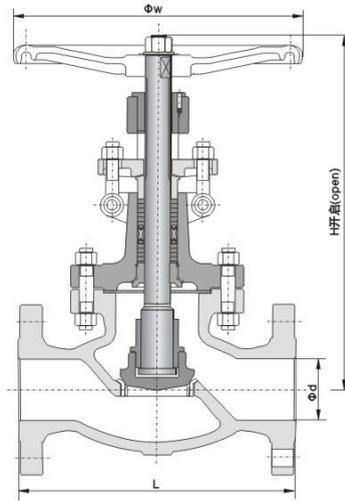
美标300Lb 截止阀 Class 300 Cast Steel Globe Valve

压力等级 Class	规格Size		尺寸Dimensions(mm)								重量 Weight (kg)	
	NPS	DN	L			d	H	H1	W	W1	H.W	G.O
			R F	RTJ	BW							
300	1/2	15	152	164	152	14	185	-	100	-	5	-
	3/4	20	173	191	178	19	195	-	100	-	7	-
	1	25	203	216	203	25	220	-	135	-	10	-
	1 1/4	32	216	229	216	32	240	-	135	-	14	-
	1 1/2	40	229	241	229	38	260	-	160	-	19	-
	2	50	267	283	267	51	385	-	200	-	25	-
	2 1/2	65	292	308	292	64	420	-	200	-	42	-
	3	80	318	333	318	76	440	-	280	-	46	-
	4	100	356	371	356	102	515	-	350	-	74	-
	5	125	400	416	400	127	580	-	350	-	111	-
	6	150	444	460	444	152	660	690	400	310	165	195
	8	200	559	575	559	203	900	950	550	460	275	327
10	250	622	638	622	254	950	990	600	460	400	452	
12	300	711	727	711	305	1030	1080	700	460	624	725	

Class600、Class 900



蜗轮传动  
Gear Operation

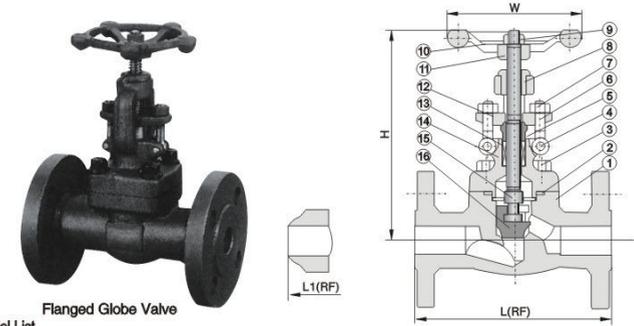


手轮驱动  
Handwheel operation

美标600Lb、900Lb截止阀 Class 600 & Class 900 Cast Steel Globe Valve

压力等级 Class	规格Size		尺寸Dimensions(mm)								重量 Weight (kg)	
	NPS	DN	L			d	H	H1	W	W1	H.W	G.O
			R F	RTJ	BW							
600	2	50	292	295	292	51	360	-	250	-	32	-
	2 1/2	65	330	333	330	64	410	-	280	-	42	-
	3	80	356	359	356	76	465	-	300	-	63	-
	4	100	432	435	432	102	545	575	400	310	107	138
	5	125	508	511	508	127	625	660	500	310	185	215
	6	150	559	562	559	152	785	820	550	460	290	342
900	2	50	388	371	368	51	480	-	350	-	55	-
	2 1/2	65	419	422	419	64	520	-	350	-	68	-
	3	80	381	384	381	76	564	630	400	310	95	128
	4	100	457	460	457	102	685	720	450	310	160	210
	5	125	559	562	559	127	780	840	550	460	270	325
	6	150	610	613	610	152	950	1015	650	460	410	480

Class150、Class300、Class600



Flanged Globe Valve

主要零件材料表 Parts And Material List

序号 NO	零件名称 Part Name	CS to ASTM	AS to ASTM	SS to ASTM	SS to ASTM
		Type A105	Type F22	Type F304(L)	Type F316(L)
1	阀体 Body	A105	A182 F22	A182 F304(L)	A182 F316(L)
2	垫片 Gasket	Corrugated SS+Graphite	Corrugated SS+Graphite	SS+PTFE	SS+PTFE
3	阀盖 Bonnet Bolt	A193 B7	A193 B16	A193 B8	A193 B8M
4	螺销 Pin	A276 420	A276 420	A276 304	A276 304
5	填料压套 Gland	A276 410	A276 410	A182 F304(L)	A182 F316(L)
6	活络螺栓 Gland Eyebolt	A193 B7	A193 B16	A193 B8	A193 B8M
7	螺母 Gland Nut	A194 2H	A194 4	A194 8	A194 8M
8	支架螺母 Yoke Nut	A276 410	A276 410	A276 410	A276 410
9	H.W.Nut	A194 2H	A194 4	A194 8	A194 8M
10	Nameplate	SS	SS	SS	SS
11	手轮 Handwheel	A197	A197	A197	A197
12	填料压板 Gland Flange	A216 WCB	A216 WCB	A351 CF8	A351CF8
13	填料 Stem Packing	柔性石墨 Flexible Graphite	柔性石墨 Flexible Graphite	PTFE	PTFE
14	阀盖 Bonnet	A105	A276 304	A182 F304(L)	A182 F316(L)
15	阀杆 Stem	A182 F6	A182 F304	A182 F304(L)	A182 F316(L)
16	阀瓣 Disc	A276 420	A276 304	A276 304(L)	A276 316(L)
适合介质 Suitable Medium		W.O.G.etc	W.O.G.etc	HNO3.CH3OOH etc	HNO3.CH3OOH etc
适合温度 Suitable Temperature		-29℃~425℃	-29℃~550℃	-29℃~180℃	-29℃~180℃

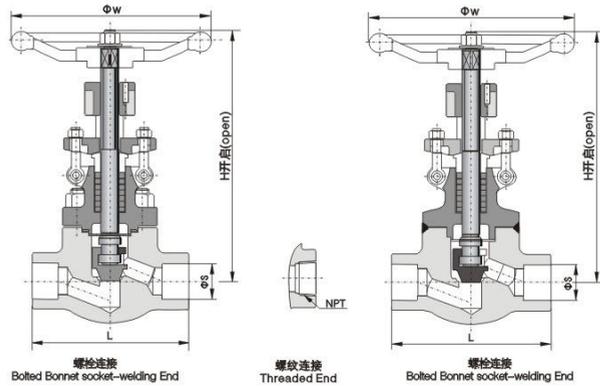
Note: Other materials are available upon request. CS=Carbon Steel; AS=Alloy Steel; SS=Stainless Steel.

美标150、300、600Lb锻钢截止阀 Forged steel Globe Valve Class 150、300、600

		NPS	1/2"	3/4"	1"	1 1/4"	1 1/2"	2"
L(RF) L1(BW)	Class150	108	117	127	140	165	203	
	Class300	152	178	203	216	229	267	
	Class600	165	190	216	229	241	292	
H(open)	Class150,300	166	171	207	240	258	330	
	Class600	171	207	240	258	330	380	
W		100	100	125	160	160	180	
	Class150	R F	4.5	6.9	9.8	13.5	19.5	28.0
Weight	Class150	BW	2.3	3.6	7.8	8.2	12.0	15.0
		Class300	R F	4.8	7.7	11.0	16.8	21.2
	Class300	BW	2.8	4.0	8.5	9.2	12.6	16.8
		Class600	R F	5.6	7.8	12.5	17.0	23.5
	Class600	BW	3.4	4.7	9.2	10.5	13.3	18.9



Class800、Class900、Class1500



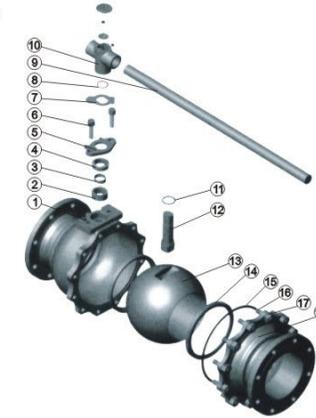
**执行标准**  
设计与制造: API 602.  
测试与试验: API 598.  
承插焊接尺寸: ASME B16.11.  
螺纹连接尺寸: ASME B1.20.1.  
压力温度额定值: ASME B16.34.

**Standards**  
Design and Manufacture: API 602.  
Inspection and Test: API 598.  
Socket-weld dimension: ASME B16.11.  
End threads dimension: ASME B1.20.1.  
Pressure-threads dimension: ASME B16.34.

美标800Lb、900Lb、1500Lb锻钢截止阀 Class800~Class1500 Forged Steel Globe Valve

压力等级 Class	规格 Size		尺寸 Dimensions(mm)						重量 Weight (kg)
	NPS	DN	L	d	S	H	W	NPT	
150-800	1/2	15	79	9.5	21.8	164	100	1/2	2.3
	3/4	20	92	12.7	27.1	203	100	3/4	4.3
	1	25	111	17.5	33.8	224	125	1	5.7
	1 1/4	32	120	23.8	42.6	205	160	1 1/4	7.8
	1 1/2	40	152	28.6	48.7	300	180	1 1/2	12.5
	2	50	172	36.5	61.1	355	200	2	17.5
900-1500	1/2	15	111	9.5	21.8	207	125	1/2	3.7
	3/4	20	120	12.7	27.1	240	160	3/4	5.8
	1	25	152	17.5	33.8	258	160	1	7.6
	1 1/4	32	172	23.8	42.6	330	180	1 1/4	11.6
	1 1/2	40	200	28.6	48.7	355	200	1 1/2	15
	2	50	200	36.5	61.1	370	220	2	22

浮动球阀典型结构及零部件组成  
Typical Drawing Of Floating Ball Valve And Parts Composition

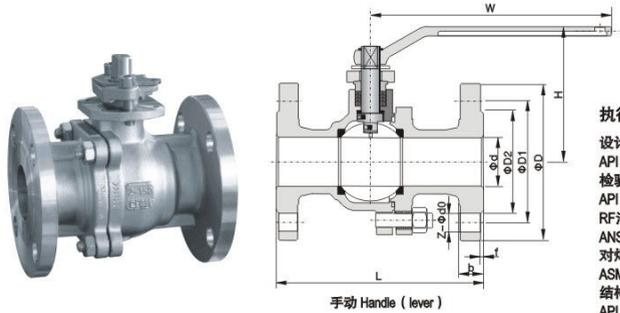


主要零件材料表 Parts And Material List

序号 No.	零件名称 Parts name	材料 Materials				
		WCB/13Cr	WCB/304	WCB/316	CF8	CF8M
1	阀体 Body	ASTM A216 WCB	ASTM A216 WCB	ASTM A216 WCB	ASTM A351 CF8	ASTM A351 CF8M
2	填料 Packing	PTFE	PTFE	PTFE	PTFE	PTFE
3	衬套 Stem bearing	PTFE	PTFE	PTFE	PTFE	PTFE
4	填料压套 Gland	ASTM A182 F8a	ASTM A182 F304	ASTM A182 F316	ASTM A182 F304	ASTM A182 F316
5	填料压板 Gland flange	ASTM A216 WCB	ASTM A216 WCB	ASTM A216 WCB	ASTM A351 CF8	ASTM A351 CF8M
6	螺钉 Gland bolt	ASTM A193 B7	ASTM A193 B7	ASTM A193 B7	ASTM A193 B8	ASTM A193 B8M
7	定位片 Stop pice	碳钢 Carbon steel	碳钢 Carbon steel	碳钢 Carbon steel	不锈钢 Stainless steel	不锈钢 Stainless steel
8	挡圈 Circlip	碳钢 Carbon steel	碳钢 Carbon steel	碳钢 Carbon steel	不锈钢 Stainless steel	不锈钢 Stainless steel
9	扳手 Lever	碳钢 Carbon steel	碳钢 Carbon steel	碳钢 Carbon steel	碳钢 Carbon steel	碳钢 Carbon steel
10	螺母 Nut	碳钢 Carbon steel	碳钢 Carbon steel	碳钢 Carbon steel	碳钢 Carbon steel	碳钢 Carbon steel
11	上密封垫 Thrust washer	PTFE	PTFE	PTFE	PTFE	PTFE
12	阀杆 Stem	ASTM A182 F8a	ASTM A182 F304	ASTM A182 F316	ASTM A182 F304	ASTM A182 F316
13	球体 Ball	ASTM A182 F8a	ASTM A182 F304	ASTM A182 F316	ASTM A182 F304	ASTM A182 F316
14	密封圈 Seat	Reinforced PTFE	Reinforced PTFE	Reinforced PTFE	Reinforced PTFE	Reinforced PTFE
15	垫片 Gasket	PTFE	PTFE	PTFE	PTFE	PTFE
16	螺母 Body nut	ASTM A194 2H	ASTM A194 2H	ASTM A194 2H	ASTM A194 8	ASTM A194 8M
17	螺母 Body bolting	ASTM A193 B7	ASTM A193 B7	ASTM A193 B7	ASTM A193 B8	ASTM A193 B8M
18	阀盖 End Cap	ASTM A216 WCB	ASTM A216 WCB	ASTM A216 WCB	ASTM A351 CF8	ASTM A351 CF8M

注: 表中所列球阀部件材料属普通钢型, 我们可根据客户要求或实际工作环境提供其他不同材料。  
Note: The chart above only lists out some composition of steel ball valve parts. We may provide other different parts material composition according to the customer's request or the actual valve working condition.

**Class150、Class300**



**执行标准**

设计与制造:  
API Spec. 6D 和 API 608  
检验与试验:  
API Spec. 6D 和 API 598  
RF法兰连接尺寸:  
ANSI B16.5  
对焊连接尺寸:  
ASME B 16.25  
结构长度:  
API Spec. 6D 和 ANSI B16.10

**Standards**

Design and manufacture:  
API Spec. 6D and API 608  
Inspection and Test:  
API Spec. 6D and API 598  
RF flanged ends  
ANSI B16.5  
Butt-welding ends  
ASME B 16.25  
Face to face:  
API Spec. 6D and ANSI B16.10

**美标150Lb、300Lb球阀 Class 150~300 Cast Steel Floating Ball Valve**

压力等级 Pressure	规格 Size		尺寸 Dimensions(mm)											重量 Weight (kg)			
	DN	NPS	L		d	D	D1	D2	B	F	Z-φ d0	W		H		手动 Handle	蜗轮转动 W.G
			RF	RTJ								手动 Handle	蜗轮转动 W.G	手动 Handle	蜗轮转动 W.G		
Class150	15	1/2	108	119	14	89	60.5	35	11.5	1.6	4-15	140	-	85	-	2.5	-
	20	3/4	117	130	19	98	70	43	11.5	1.6	4-15	140	-	90	-	3	-
	25	1	127	140	25	108	79.5	51	11.5	1.6	4-15	150	-	99	-	4	-
	32	1 1/4	140	153	32	117	89	64	13	1.6	4-15	180	-	105	-	5.5	-
	40	1 1/2	165	178	38	127	98.5	73	14.5	1.6	4-15	200	-	126	-	8	-
	50	2	178	191	51	152	120.5	92	16	1.6	4-19	250	-	140	-	11	-
	65	2 1/2	190	203	64	178	139.5	105	17.5	1.6	4-19	300	-	165	-	13	-
	80	3	203	216	76	190	152.5	127	19.5	1.6	4-19	350	-	178	-	17	-
	100	4	229	242	102	229	190.5	157	24	1.6	8-19	500	305	230	380	27	42
	125	5	356	389	127	254	216	188	24	1.6	8-22	800	305	280	405	60	79
Class300	150	6	394	407	152	279	241.5	216	25.5	1.6	8-22	800	305	310	480	80	100
	200	8	457	470	203	343	298.5	270	29	1.6	8-22	1000	305	350	550	145	185
	250	10	533	546	254	406	362	324	31	1.6	12-25	-	400	-	706	-	280
	15	1/2	140	151	14	95	66.5	35	14.5	1.6	4-15	140	-	85	-	3	-
	20	3/4	152	165	19	117	82.5	43	16	1.6	4-19	140	-	90	-	5	-
	25	1	165	178	25	124	89	51	17.5	1.6	4-19	150	-	99	-	6	-
	32	1 1/4	178	191	32	133	98.5	61	19.5	1.6	4-19	180	-	105	-	8	-
	40	1 1/2	190	203	38	156	114.5	73	21	1.6	4-22	200	-	126	-	11	-
	50	2	216	232	51	165	127	92	22.5	1.6	8-19	250	-	142	-	16	-
	65	2 1/2	241	257	64	190	149	105	25.5	1.6	8-22	300	-	165	-	24	-

**Class600、Class 900、Class1500、Class2500**

**美标600Lb、900Lb、1500Lb球阀 Class600~150 Cast Steel Floating Ball Valve**

压力等级 Pressure	规格 Size		尺寸 Dimensions(mm)											重量 Weight (kg)			
	DN	NPS	L		d	D	D1	D2	b	f	Z-φ d0	W		H		手动 Handle	蜗轮转动 W.G
			RF	RJ								手动 Handle	蜗轮转动 W.G	手动 Handle	蜗轮转动 W.G		
Class600	15	1/2	165	164	14	95	66.5	35	14.5	6.4	4-15	140	-	79	-	5	-
	20	3/4	190	190	19	118	82.5	43	16	6.4	4-19	140	-	83	-	7	-
	25	1	216	216	25	124	89	51	17.5	6.4	4-19	200	-	114	-	9	-
	32	1 1/4	229	229	32	133	98.5	64	21	6.4	4-19	200	-	120	-	13	-
	40	1 1/2	241	241	38	156	114.5	73	22.5	6.4	4-22	250	-	125	-	17	-
	50	2	292	295	51	165	127	92	25.5	6.4	8-19	300	-	156	-	25	-
	65	2 1/2	330	333	64	190	149	105	29	6.4	8-22	350	-	172	-	42	-
	80	3	356	359	76	210	168	127	32	6.4	8-22	500	305	220	370	56	76
	100	4	432	435	102	273	216	157	38.5	6.4	8-25	650	305	250	400	85	123
	Class900	15	1/2	216	216	14	121	82.5	35	22.5	6.4	4-23	150	-	98	-	9
20		3/4	229	229	20	130	88.9	43	25.5	6.4	4-23	150	-	105	-	13	-
25		1	254	254	25	149	101.6	51	29	6.4	4-26	200	-	110	-	16	-
32		1 1/4	279	279	32	159	111.1	64	29	6.4	4-26	250	-	120	-	24	-
40		1 1/2	305	305	38	178	123.8	73	32	6.4	4-29	250	-	125	-	31	-
50		2	368	371	50	216	165.1	92	38.5	6.4	8-26	350	-	160	-	45	-
Class1500	15	1/2	216	216	14	121	82.5	35	22.5	6.4	4-23	182	-	98	-	10	-
	20	3/4	229	229	20	130	88.9	43	25.5	6.4	4-23	200	-	105	-	14	-
	25	1	254	254	25	149	101.6	51	29	6.4	4-26	250	-	110	-	17	-
	32	1 1/4	279	279	32	159	111.1	64	29	6.4	4-26	300	-	120	-	25	-
	40	1 1/2	305	305	38	178	123.8	73	32	6.4	4-29	350	-	130	-	33	-
	50	2	368	371	50	216	165.1	92	38.5	6.4	8-26	500	-	160	-	48	-

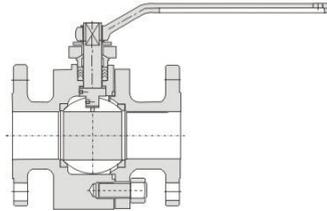
Class150、Class300、Class600

**美标锻钢法兰球阀**

本公司的浮动球阀一般采用铸钢阀体，根据用户要求，也可采用锻钢阀体，锻钢球阀的法兰连接尺寸、结构长度等主要尺寸与铸钢球阀相同。

**Class 150-600 Forged Steel Ball Valve**

The floating ball valve manufactured by our company is generally employing casting steel valve body, however, as required by customers, forged steel valve body is also available, of which the main sizes such the dimension of Flange end and face to face the same as that of the ball valve with cast steel body Reduce bore Ball Valve.

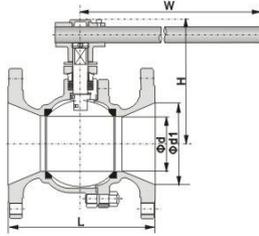


**缩径球阀**

除了生产全通浮动球阀以外，本公司还生产缩径浮动球阀，以满足用户的不同需求。缩径球阀不仅能适当的降低成本及价格，而且能满足用户的一些特定要求。

**Ball Valve With Reduced Bore**

In addition to the full bore floating ball valve, our company is also manufacturing the floating ball valve with reduced bore to satisfy different of customers, which can not only reduce the cost and special requirement.



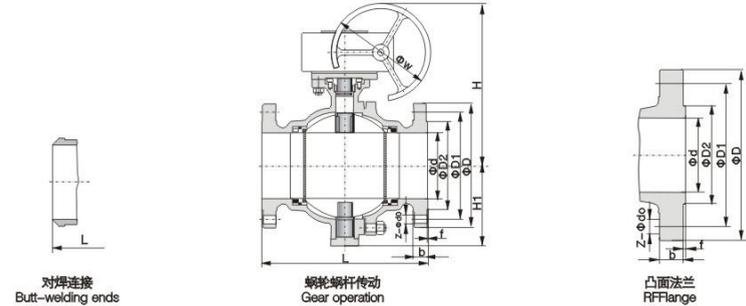
**美标150-600Lb浮动球阀 API Class 150-600 Cast Steel Floating Type Ball Valve**

规格 Size		Class150(PN20)				Class300(PN50)				Class600(PN100)								
DN	NPS	L		d	d1	H	W	L		d	d1	H	W	L	d	d1	H	W
		长 Long	短 Short					长 Long	短 Short									
15	1/2	108		10	14	80	140	140		10	14	80	140	165	10	14	75	140
20	3/4	117		14	19	85	140	152		14	19	85	140	190	14	19	79	140
25	1	127		20	25	90	140	165		20	25	90	140	216	20	25	83	140
32	1 1/4	140		25	32	99	150	178		25	32	99	150	229	25	32	114	150
40	1 1/2	165		32	38	105	180	190		32	38	105	180	241	32	38	120	200
50	2	178		38	51	126	200	216		38	51	126	200	292	38	51	125	250
65	2 1/2	190		51	64	140	250	241		51	64	140	250	330	51	64	156	300
80	3	203		64	76	165	300	283		64	76	165	300	356	64	76	172	350
100	4	229		76	102	178	350	305		76	102	178	350	432	76	102	220	500
125	5	356		102	127	230	500	381		102	127	230	500	508	102	127	250	650
150	6	394	267	127	152	280	800	403	127	152	280	800	-	-	-	-	-	-
200	8	457	292	152	203	310	800	502	419	152	203	310	800	-	-	-	-	-
250	10	533	330	203	254	350	1000	568	457	203	254	350	1000	-	-	-	-	-

注：1.缩径球阀的连接法兰尺寸与全通球阀相同。  
2.部分规格的缩径球阀，其结构长度有长系列和短系列两个系列。

Note: 1.Sizes of flange connection of the ball valve with reduced bore are the same as that of full bore ball valves.  
2.There are two series of face to face dimensions, in the long series and the short series, for some of ball valves with reduced bore.

Class150、Class300



**美标150-300Lb固定铸钢球阀 Class 150-300 Trunnion type Cast Steel Ball Valve**

压力级 Pressure	规格 Size		尺寸 Dimensions(mm)														重量 Weight (kg)
	DN	NPS	L		d	D	D1	D2	b	f	Z-φd0	H	H1	W			
			R F	BW													
Class150	100	4	229	305	102	229	190.5	157	24	1.6	8-19	330	135	300	60		
	125	5	356	381	127	254	216	186	24	1.6	8-22	360	165	300	80		
	150	6	394	457	152	279	241.5	216	25.5	1.6	8-22	382	183	300	101		
	200	8	457	521	203	343	298.5	270	29	1.6	8-22	492	240	300	166		
	250	10	533	559	254	406	362	324	31	1.6	12-25	548	293	300	283		
	300	12	610	635	305	483	432	381	32	1.6	12-25	688	340	400	463		
	350	14	686	762	337	533	476	413	35	1.6	12-29	722	372	400	622		
	400	16	762	938	387	597	540	470	37	1.6	16-29	722	415	400	900		
	450	18	864	914	438	635	578	533	40	1.6	16-32	804	462	500	1150		
	500	20	714	991	489	699	635	584	43	1.6	20-32	952	511	600	1360		
	600	24	1067	1143	591	813	748.5	692	48	1.6	20-35	1154	601	750	2514		
	650	26	1143	1245	633	786	744.5	711	40	1.6	36-22	1300	700	750	3200		
	700	28	1245	1346	684	837	795.5	762	43	1.6	40-22	1550	780	750	4000		
	750	30	1295	1397	735	887	846	813	43	1.6	44-22	1650	830	750	4800		
	800	32	1372	1524	779	941	900	864	44	1.6	48-22	1740	870	750	5800		
900	36	1524	1727	874	1057	1009.5	972	51	1.6	44-26	1950	970	750	8000			
Class300	100	4	305	305	102	254	200	157	32	1.6	8-22	340	140	300	70		
	125	5	381	381	127	279	238	186	35	1.6	8-22	370	170	300	95		
	150	6	403	457	152	318	270	216	37	1.6	12-22	402	192	300	128		
	200	8	502	521	203	381	330	270	41.5	1.6	12-25	496	246	300	234		
	250	10	568	559	254	445	387.5	324	48	1.6	16-29	655	303	400	403		
	300	12	648	635	305	521	451	381	51	1.6	16-32	658	348	400	602		
	350	14	762	762	337	584	514.5	413	54	1.6	20-32	686	378	400	803		
	400	16	938	838	387	648	571.5	470	58	1.6	20-35	880	429	600	1273		
	450	18	914	914	438	711	628.5	533	61	1.6	24-35	1050	518	750	1450		
	500	20	991	991	489	775	686	584	64	1.6	24-35	1110	540	750	1700		
	600	24	1143	1143	591	914	813	692	70	1.6	24-41	1400	650	750	3100		
	650	26	1245	1245	633	867	803.5	737	87	1.6	32-35.5	1500	750	750	4500		
	700	28	1346	1346	684	921	857	787	87	1.6	36-35.5	1600	800	750	6000		
	750	30	1397	1397	735	991	921	845	92	1.6	36-39	1720	860	750	7500		
	800	32	1524	1524	779	1054	978	902	102	1.6	32-42	1800	900	750	9000		
900	36	1727	1727	874	1172	1089	1010	102	1.6	32-45	2200	1020	600	12000			

**Class600、Class 900、Class1500、Class2500**

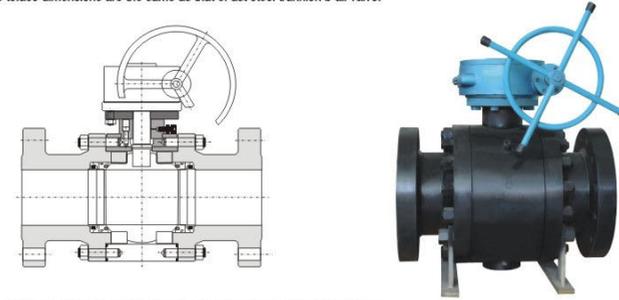
美标600-2500Lb固定铸钢球阀 Class 600-2500 Trunnion type Cast Steel Ball Valve

压力级 Pressure	规格Size		尺寸 Dimensions(mm)													重量 Weight (kg)	
	DN	NPS	L			d	D	D1	D2	b	f	Z-φd0	H	H1	W		
			R F	RTJ	BW												
Class600	50	2	292	295	292	51	165	127	92	26	6.4	8-19	240	94	300	32	
	65	2 1/2	330	333	330	64	190	149	105	29	6.4	8-22	290	115	300	47	
	80	3	356	359	356	76	210	168	127	32	6.4	8-22	340	136	300	68	
	100	4	432	435	432	102	273	216	157	38	6.4	8-25	358	152	300	106	
	125	5	508	511	508	127	330	266.5	186	45	6.4	8-29	400	180	300	170	
	150	6	559	562	559	152	356	292	216	48	6.4	12-29	445	209	400	241	
	200	8	660	664	660	203	419	349	270	56	6.4	12-32	498	263	400	444	
	250	10	787	791	787	254	508	432	324	64	6.4	16-35	653	312	400	668	
	300	12	838	841	838	305	559	489	381	67	6.4	20-35	665	354	500	1050	
	350	14	889	892	889	334	603	527	413	70	6.4	20-38	738	389	600	1317	
	400	16	991	994	991	385	686	603	470	77	6.4	20-41	920	440	750	1800	
	450	18	1092	1095	1092	436	743	654	533	83	6.4	20-44	1100	530	750	2400	
	500	20	1194	1200	1194	487	813	724	584	89	6.4	24-44	1200	560	750	3000	
	600	24	1397	1407	1397	538	940	838	692	102	6.4	24-52	1480	670	750	5400	
	Class900	50	2	368	371	368	51	216	165.1	92	38.5	6.4	8-26	250	98	300	45
65		2 1/2	419	422	419	64	244	190.5	105	41.5	6.4	8-29	300	120	300	55	
80		3	381	384	381	76	241	190.5	127	38.5	6.4	8-26	345	140	300	94	
100		4	457	460	457	102	292	234.9	157	44.5	6.4	8-32	415	162	300	141	
125		5	559	562	559	127	349	279.4	186	51	6.4	8-35	446	188	300	230	
150		6	610	613	610	152	381	317.5	216	56	6.4	12-32	477	213	400	325	
200		8	737	740	737	203	470	393.7	270	63.5	6.4	12-39	520	270	400	580	
250		10	838	841	838	254	545	469.9	324	70	6.4	16-39	628	322	400	850	
300		12	966	968	965	305	610	533.4	381	79.5	6.4	20-39	680	360	500	1330	
350		14	1029	1038	1029	322	640	558.8	413	86	6.4	20-42	750	400	600	1660	
400		16	1130	1140	1130	373	705	615.9	470	89	6.4	20-45	940	460	750	2280	
Class1500		40	1 1/2	305	305	305	38	178	123.8	73	32	6.4	4-29	280	100	300	44
		50	2	368	371	368	51	216	165.1	92	38.5	6.4	8-26	320	113	300	67
		65	2 1/2	419	422	419	64	244	190.5	105	41.5	6.4	8-29	340	125	300	80
		80	3	470	473	470	76	287	203.2	127	48	6.4	8-32	385	138	300	130
	100	4	546	549	546	102	331	241.3	157	54	6.4	8-35	415	171	300	192	
	125	5	673	676	673	125	375	292.1	186	73.5	6.4	8-42	480	200	400	335	
	150	6	705	711	705	144	394	317.5	216	83	6.4	12-39	580	222	400	475	
	200	8	832	841	832	192	483	393.7	270	92	6.4	12-45	584	280	400	820	
	250	10	991	1000	991	239	585	482.6	324	108	6.4	12-51	650	340	500	1320	
	350	12	1130	1146	1130	287	675	571.5	381	124	6.4	16-54	700	370	600	2050	
	Class2500	40	1 1/2	384	387	384	38	203	146	73	44.5	6.4	4-32	290	105	300	72
		50	2	451	454	451	42	235	171.4	92	51	6.4	8-29	320	120	300	104
		65	2 1/2	508	514	508	52	267	196.8	105	57.5	6.4	8-32	350	130	300	140
		80	3	578	584	578	62	305	228.6	127	67	6.4	8-35	400	150	300	202
		100	4	673	683	673	87	356	273	157	76.5	6.4	8-42	425	180	400	305
125		5	794	807	794	100	419	323.8	186	92.5	6.4	8-48	500	210	400	530	
150		6	914	927	914	131	483	368.3	216	108	6.4	8-54	590	230	500	760	
200		8	1022	1038	1022	179	550	438.1	270	127	6.4	12-54	610	290	500	1200	
250		10	1270	1292	1270	223	375	539.7	324	165.5	6.4	12-67	660	350	600	2080	

注: 1.RF 表示突面法兰, RJ 表示环连接面法兰, BW 表示焊接端连接。 2.对于NPS≤24的阀门, 本表法兰尺寸按ASME B16.5标准。  
3.对于NPS≥26, 本表法兰尺寸按ASME B16.47标准的B系列、API605标准及GB/T13402标准, 根据用户要求, 法兰尺寸也可按SSNIE B16.47标准的A系列及MSS SP-44标准。  
Note: 1.RF indicates raised flange, RJ means ring joint flange, and BW is butt welding ends connection. 2.Flange dimensions of the above table for valves of NPS≤24 conforms to ASME B 16.5  
3.For valves of NPS≥26, the flange dimensions of above table conforms to B series of ASME B 16.47 and API 605. As required by customers, flange dimensions may also conform to A series of ASME B 16.47 and MSS-SP-44

**Class150、Class300、Class600、Class 900、Class1500、Class2500**

本公司的固定球阀一般采用铸钢阀体, 根据用户要求, 也可采用锻钢, 锻钢固定球阀的法兰尺寸及结构长度与铸钢固定球阀相同。  
Our company manufactures in general trunnion ball valve of casted steel valve body. However, if required by customers, forged steel valve body is also available, of which the flange dimensions and face to face dimensions are the same as that of ast steel trunnion b all valve.



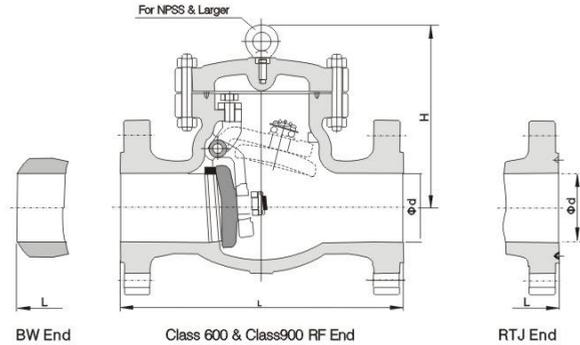
美标150Lb-2500Lb锻钢固定球阀 Class 150-2500 Forged Steel Trunnion Ball Valve

规格 Size		压力级别 Pressure stage												
		Class150、PN20				Class300、PN50				Class600、PN100				
DN	NPS	尺寸 Dimensions(mm)												
		L	d	d1	H	L	d	d1	H	L		d	d1	H
		R F	RJ											
125	5	356	102	127	330	381	102	127	340	508	511	102	127	358
150	6	394	102	152	330	403	102	152	340	559	562	102	152	358
200	8	457	152	203	392	502	152	203	402	660	664	152	203	445
250	10	533	203	254	492	568	203	254	498	787	791	203	254	498
300	12	610	254	305	548	648	254	305	655	838	841	254	305	653
350	14	686	305	305	688	762	305	337	658	889	892	305	337	665
400	16	762	305	337	688	838	305	387	658	991	994	305	387	665
450	18	864	337	387	722	914	337	438	688	1092	1095	337	438	738
500	20	914	387	489	750	991	387	489	880	1194	1200	387	489	920
600	24	1067	489	591	952	1143	489	591	1110	1397	1407	489	591	1200
650	26	1143	538	633	1050	1245	538	633	1250	-	-	-	-	-
700	28	1245	591	684	1154	1346	591	684	1400	-	-	-	-	-
750	30	1295	633	735	1300	1397	633	735	1500	-	-	-	-	-
800	32	1372	684	779	1550	1524	684	779	1600	-	-	-	-	-
900	36	1524	779	874	1740	1727	779	874	1800	-	-	-	-	-

规格 Size		Class300、PN150					Class1500、PN260					Class2500、PN420				
DN	NPS	L		d	d1	H	L		d	d1	H	L		d	d1	H
		R F	RJ				R F	RJ				R F	RJ			
65	2 1/2	419	422	50	64	250	419	422	50	64	320	508	514	42	52	320
80	3	381	384	64	76	300	470	473	64	76	340	578	584	52	62	350
100	4	457	460	76	102	345	546	549	76	102	385	673	683	62	87	400
125	5	559	562	102	127	415	673	676	102	127	415	794	807	87	100	425
150	6	610	613	102	152	415	705	711	102	144	480	914	927	87	131	500
200	8	737	740	152	203	477	832	841	144	192	580	1022	1038	131	179	590
250	10	838	841	203	254	520	991	1000	192	239	584	1270	1292	179	223	610
300	12	965	968	254	305	528	1130	1146	239	287	650	1422	1445	223	265	660
350	14	1029	1038	305	322	680	-	-	-	-	-	-	-	-	-	-
400	16	1130	1140	305	373	680	-	-	-	-	-	-	-	-	-	-

注: 缩径固定球阀的法兰尺寸与全通径固定球阀相同。  
Note: Flange dimensions of ball valve with reduced bore are the same as that of full bore ball valve.

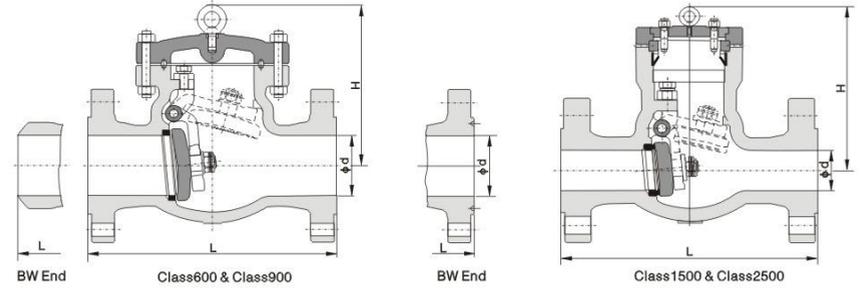
Class150、Class300



美标150Lb-300Lb旋启式止回阀 Class 150 & Class 300 Cast Steel Swing Check Valve

规格 Size		Class150						Class300					
NPS	DN	尺寸Dimensions(mm)					重量 Weight (kg)	尺寸Dimensions(mm)					重量 Weight (kg)
		L			d	H		L			d	H	
		R F	RTJ	BW				R F	RTJ	BW			
2	50	203	216	203	51	132	15	267	283	267	51	144	18
2 1/2	65	216	229	216	64	147	20	292	308	292	64	169	30
3	80	241	254	241	76	176	27	318	333	318	76	210	35
4	100	292	305	292	102	198	45	356	371	356	102	260	41
5	125	330	343	330	127	255	58	400	416	400	127	295	60
6	150	356	368	356	152	320	69	445	460	445	152	326	71
8	200	495	508	495	203	380	131	533	549	533	203	380	150
10	250	622	635	622	254	440	219	622	638	622	254	440	265
12	300	699	711	699	305	480	321	711	727	711	305	520	450
14	350	787	800	787	337	530	380	838	854	838	337	540	640
16	400	864	876	864	387	580	560	864	879	864	387	588	850
18	450	978	991	978	438	618	630	978	994	978	438	670	1030
20	500	978	991	978	489	657	770	1016	1035	1016	489	720	1330
24	600	1295	1308	1295	591	760	960	1346	1368	1346	591	850	1950
26	650	1295	-	1295	633	840	1250	1346	1372	1346	633	920	2300
28	700	1448	-	1448	684	920	1580	1499	1524	1499	684	1150	2600
30	750	1524	-	1524	735	980	1950	1594	1619	1594	735	1260	3200

Class600、Class 900、Class1500、Class2500

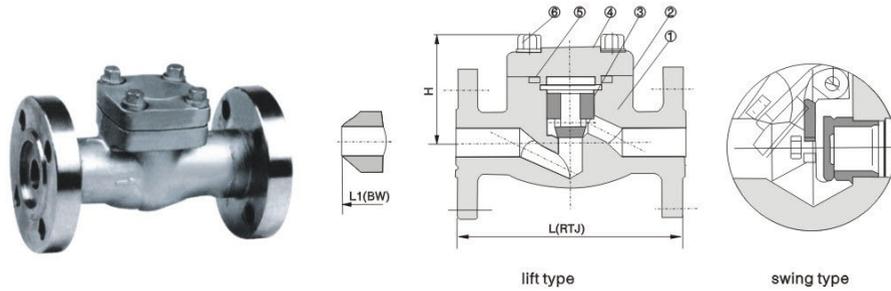


美标600Lb-2500Lb旋启式止回阀 Class600-Class2500 Cast Steel Swing Check Valve

规格 Size		Class600						Class 900					
NPS	DN	尺寸 Dimensions(mm)					重量 Weight (kg)	尺寸 Dimensions(mm)					重量 Weight (kg)
		L			d	H		L			d	H	
		R F	RTJ	BW				R F	RTJ	BW			
2	50	292	295	292	51	170	28	368	371	368	51	200	48
2 1/2	65	330	333	330	64	178	40	419	422	419	64	220	75
3	80	356	359	356	76	246	68	381	384	381	76	280	95
4	100	432	435	432	102	290	117	457	460	457	102	320	135
5	125	508	511	508	127	320	155	559	562	559	127	360	200
6	150	559	562	559	152	360	192	610	613	610	152	400	264
8	200	660	664	660	203	430	340	737	740	737	203	480	424
10	250	787	791	787	254	502	515	838	841	838	254	560	730
12	300	838	841	838	305	554	750	965	968	965	305	632	1070
14	350	889	892	889	337	595	890	1029	1038	1029	337	680	1180
16	400	991	994	991	387	680	1303	1130	1140	1130	373	780	1790
18	450	1092	1095	1092	438	778	1800	1219	1232	1219	423	880	2500
20	500	1194	1200	1194	489	970	2150	1321	1334	1321	471	1050	3080
24	600	1397	1407	1397	591	1100	3200	1549	1568	1549	522	1200	4600

规格 Size		Class1500						Class2500					
NPS	DN	尺寸 Dimensions(mm)					重量 Weight (kg)	尺寸 Dimensions(mm)					重量 Weight (kg)
		L			d	H		L			d	H	
		R F	RTJ	BW				R F	RTJ	BW			
2	50	368	371	368	51	210	48	451	454	451	42	230	68
2 1/2	65	419	422	419	64	240	75	508	514	508	52	260	100
3	80	470	473	470	76	303	120	578	584	578	62	330	165
4	100	546	549	546	102	340	180	673	683	673	87	370	260
5	125	673	676	673	127	380	294	794	807	794	96	410	440
6	150	705	711	705	144	430	385	914	927	914	131	460	580
8	200	832	841	832	192	500	634	1022	1038	1022	179	530	970
10	250	991	1000	991	239	590	1140	1270	1292	1270	223	620	1700
12	300	1130	1146	1130	287	660	1650	1422	1445	1422	265	690	2600
14	350	1257	1276	1257	315	710	2000	-	-	-	-	-	-
16	400	1384	1407	1384	360	820	2700	-	-	-	-	-	-

Class150、Class300、Class600



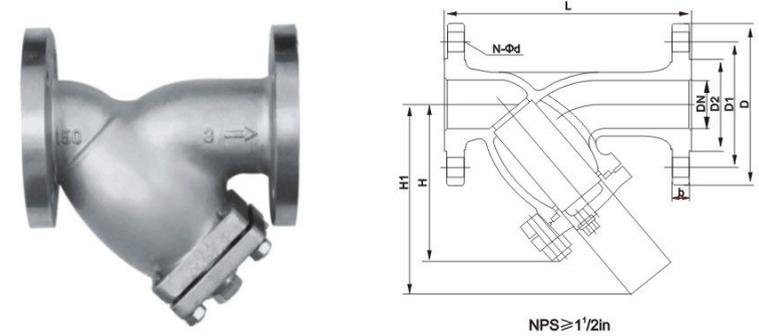
主要零件材料表 Parts And Material List

序号 No	零件名称 Part Name	CS to ASTM	AS to ASTM	SS to ASTM	SS to ASTM
		Type A105	Type F22	Type F304(L)	Type F316(L)
1	阀体 Body	A105	A182 F22	A182 F304(L)	A182 F316(L)
2	阀盖 Bonnet	A105	A182 F22	A182 F304(L)	A182 F316(L)
3	阀瓣 Piston Disc	A276 420	A276 304	A276 304(L)	A276 316(L)
4	铭牌 Nameplate	SS	SS	SS	SS
5	垫片 Gasket	Corrugated SS+Graphite	Corrugated SS+Graphite	SS+PTFE	SS+PTFE
6	螺栓 Bolt	A193 B7	A193 B16	A193 B8	A193 B8M
适合介质 Suitable Medium		W.O.G.etc	W.O.G.etc	HNO <sub>3</sub> ,CH <sub>3</sub> OOH etc	HNO <sub>3</sub> ,CH <sub>3</sub> OOH etc
适合温度 Suitable Temperature		-29℃~425℃	-29℃~550℃	-29℃~180℃	-29℃~180℃

NPS		1/2"	3/4"	1"	1 1/4"	1 1/2"	2"	
L(RF) L1(BW)	Class150	108	117	127	140	165	203	
	Class300	152	178	203	216	229	267	
	Class600	165	190	216	229	241	292	
H	Class150,300	61	61	79	95	103	118	
	Class600	61	79	95	103	118	135	
Weight	Class150	RF	2.56	3.37	4.37	8.17	8.94	12.64
		BW	1.70	1.90	2.10	5.12	5.50	1.89
	Class300	RF	2.73	3.65	4.74	8.77	9.60	13.70
		BW	1.90	2.10	3.00	5.12	6.60	7.85
	Class600	RF	3.00	4.00	5.83	9.47	10.10	15.6
		BW	2.00	3.12	4.25	7.25	8.56	13.60

Note: Other materials are available upon request. CS=Carbon Steel; AS=Alloy Steel; SS=Stainless Steel.  
美标150、300、600Lb锻钢止回阀主要尺寸与重量  
Class150、300、600 Forged steel check valve Dimension(mm)and Weight (kg)

Class150、Class300



执行标准 Administer Standard

设计与制造 Design And Manufacture	结构长度 Face To Face	法兰尺寸 Flange Dimension	压力-温度 Pressure Temperature Laying	试验-检验 Inspection And Test
JIS B2071 B2081	JIS B2002	JIS B2212 B2214	JIS B2017 B2081	JIS B2003
ANSI B16.34	ANSI B16.34	ANSI 16.5	ANSI B16.34	API 598

压力试验 Pressure Test

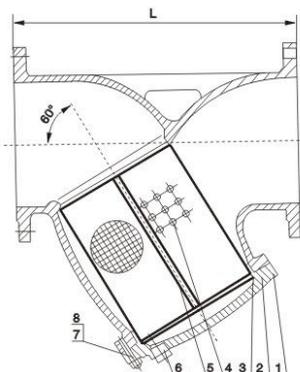
公称压力 Nominal Pressure	强度试验 Shell Test		密封试液(液) Water Seal Test		密封试验(气) Air Seal Test	
	MPa	Lb/in <sup>2</sup>	Mpa	Lb/in <sup>2</sup>	Mpa	Lb/in <sup>2</sup>
150	3.0	430	2.2	315	0.4-0.7	60-100
300	7.7	1110	5.7	815		

主要零件材料及性能Main Part Materials and Property

体盖瓣推杆导向套 Body Cover DisChnge Slideway bush	滤网 Filter	垫片 Sealing Shim	工作温度℃ Working Temperature	适用介质 Suitable Medium
WCB	Ss316	增强柔性石墨 1Cr 13/柔性石墨 不锈钢/耐酸石棉 PTFE 齿型垫片 Enhanced Flexible graphite 1Cr 13/Flexible Graphite S.S./Acid-proof Asbestos Tooth Profile Gasket	≅ 425° C	水、蒸气、油品 Water Steam Petroleum Products
WC1			≅ 450° C	
WC6			≅ 540° C	
WC9			≅ 570° C	
C5 C12			≅ 540° C	硝酸类、醋酸类 Nitric Acid Acetic Acid
CF8			SS316L	
CF8M				
CF3				
CF3M				

Class150、Class300

Note:



主要技术参数 Main technical parameter

型号 Model	连接形式 Connection type	公称压力 Nominal pressure	耐压试验压力 Proof pressure	工作压力 Working pressure	壳体材料 Shell material	过滤网 Filter screen	网眼总面积 Mesh total area
SY4P-10	法兰Flange	1.0	1.1	1.0	灰铸铁Gray cast iron	不锈钢 Stainless steel	3~4DN
SY4P-16	法兰Flange	1.6	1.76	1.6	球墨铸铁Spherical cast iron		
SY4P-25	法兰Flange	2.5	2.75	2.5	碳钢Carbon steel		

主要连接尺寸 (API)Main external dimensions

公称型号Type	公称口径DN	d	L	o	c	n-Φ	g	t
150Lb	1/2 "	13	130	89	60.5	4-15	35	16
	3/4 "	19	150	98	70	4-15	43	18
	1 "	25.4	180	108	79.5	4-15	51	18
	1 1/4 "	32	180	117	89	4-15	64	18
	1 1/2 "	38.1	200	127	98.5	4-15	73	18
	2 "	51	230	152	120.5	4-19	92	20
	2 1/2 "	64	290	178	139.5	4-19	105	22
	3 "	76	310	190	152.5	4-19	127	24
300Lb	4 "	102	350	229	190.5	8-19	157	24
	1/2 "	13	130	98	66.5	4-15	35	16
	3/4 "	19	150	117	82.5	4-19	43	16
	1 "	25.4	180	124	89	4-19	51	18
	1 1/4 "	32	180	133	98.5	4-19	64	19
	1 1/2 "	38.1	200	156	114.5	4-22	73	21
	2 "	51	230	165	127	8-19	92	23
	2 1/2 "	64	290	190	149	8-22	105	26
3 "	76	310	210	168.5	8-22	127	29	
4 "	102	350	254	200	8-22	157	32	

注：1. 设计与制造符合MFG标准。2. 试验与检验符合API598。

3. 结构长度符合MFG标准。4. 法兰尺寸符合ANSI B16.5技术要求。

Note: 1. The design & manufacture accords with MFG standard. 2. The test & inspection accords with API598.

3. The length of structure accords with MFG standard. 4. The flange size accords with the technique requirements of ANSI B16.5.